

## Terminus 400AP Series ADVANCED

### Description

Introducing the Terminus GSM400AP, CDMA400AP and UMTS400AP open platform intelligent cellular terminals. Building on our highly successful Terminus line of M2M modules and terminals, the Terminus 400AP series products are complete wireless communication devices with integrated ARM9™ processors and expanded memory. They include serial, USB and Ethernet connectivity and voltage input range from 7 to 26 VDC. The Atmel ARM9™ architecture is capable of 400 MIPS and operates with Linux™ OS. The 400AP Series is the next evolution of M2M communications.



### Features

- ARM9™ Processor capable of running embedded Linux™
- 128 MB of NAND Flash
- 64 MB of SDRAM
- GSM, CDMA, UMTS
- 802.3 Ethernet 10/100
- USB Host Port
- Externally exposed RS-232 and RS-485 ports
- 2 CAN Interfaces (2 Channel)
- Embedded GPS (except GSM400AP V2.00)
- 6 Exposed GPIOs
- Ruggedized Aluminum Enclosure
- Dimensions: 3.15" (L) x 4.27" (W) x 1.18" (H)

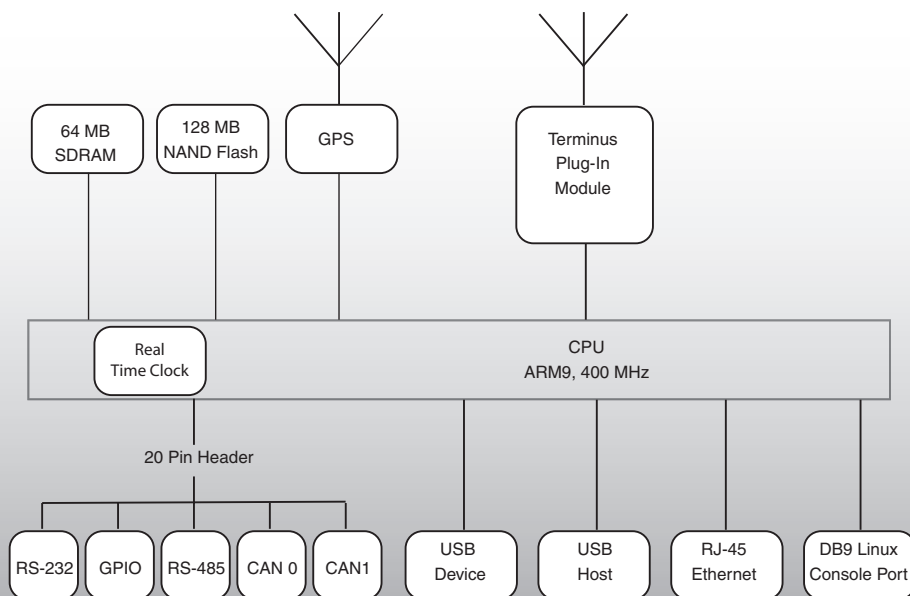
### Benefits

- Quick-to-market solution
- Increased reliability from a proven hardware platform
- Uses Linux-based open source software for simplified development
- Cost-effective solution to custom manufacturing
- Easily adapts to future technology



Making machines talk.

2111 Comprehensive Drive  
Aurora, Illinois 60505  
**630.499.2121**  
Fax: 630.851.5040  
www.janus-rc.com



Terminus 400AP Block Diagram

# Terminus 400AP Series Module

ADVANCED

## Hardware Specifications

### Processor & Memory

400 MHz ARM9™ CPU  
128 MB NAND Flash  
64 MB SDRAM

### External Interfaces & Connectors

Power Input: 7 to 26 Vdc  
Connectors: DB-9, USB 1.1, RJ-45 10/100 Ethernet, GPS MCX female and GSM/CDMA SMA female  
LEDs for power, cellular link status, Ethernet link, and speed  
1 programmable LED for application specific use

### Internal Peripherals

RTC (Real Time Clock)  
Full GPS receiver  
2.5G EDGE cellular modem (3.5 supports in future release)  
Debug serial console port



## Ordering Information

Ordering Information	Terminus Description
GSM400AP V1.00	GSM with GPS
GSM400AP V2.00	GSM without GPS
CDMA400AP V2.00	CMDA – Sprint Certified
CDMA400AP V3.00	CDMA – Verizon Certification Pending
UMTS400AP V1.00	UMTS

**JANUS** REMOTE  
COMMUNICATIONS

Division of The Connor-Winfield Corporation  
2111 Comprehensive Drive • Aurora, Illinois 60505  
630.499.2121 • Fax: 630.851.5040

[www.janus-rc.com](http://www.janus-rc.com)

**Janus Remote Communications Europe**  
Bay 143  
Shannon Industrial Estate  
Shannon, Co. Clare, Ireland  
Phone: +353 61 475 666