

JANUS REMOTE COMMUNICATIONS

PRODUCT BRIEF

Terminus Plug-In Series CDMA864CF Terminal Modem

Description

The Plug-In Terminus CDMA864CF is a dual band, CDMA-1xRTT wireless communication modem specifically designed for worldwide M2M network deployment.

Easily integrated into any new or existing hardware applications via its standard DIP pin configuration, the CDMA864CF is a cost-effective solution for CDMA M2M connectivity. Users can choose to mount the CDMA864CF directly onto their PC Board or simply mount in a DIP socket or header.

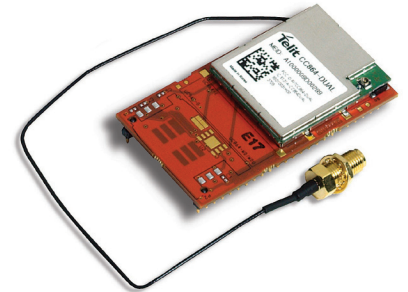
The CDMA864CF has a 5V power supply, 7 configurable GPIOs, 1 DAC and 1 ADC. USB or Serial UARTs can be used to communicate with the device. With all of these innovative and cost effective features, the CDMA864CF is an easy answer for your M2M communication needs.

The CDMA864CF is part of the Terminus Plug-In series of products which are plug-in communication modems specifically designed for wireless M2M applications

The Plug-In Terminus products allow users the option to change network and user configurability as technology and communication needs change. Three communication options, GSM, CDMA and UMTS are available within the one common board layout.

CDMA864CF Features

- Dual-band CDMA 800 / 1900 MHz
- Air interface IS-95A/B and CDMA 2000
- 1xRTT data up to 153.6Kbps (full duplex)
- TCP/IP stack access via AT commands
- Over-the-Air firmware management
- Voice and SMS (MO / MT)
- Full voice support includes supplementary services
- Output power
 - 24.3 dBm (270mW)
- Sensitivity:
 - ≤ -108 dBm @ 800 MHz
 - ≤ -108 dBm @ 1900 MHz
- Dimensions: 2.5" x 1.4" x 0.415"
- Operational temperature range: -30°C to 80°C
- Internal LDO regulator
 - Input voltage range: 4.75 to 5.25Vdc (5.0 Vdc Nominal)
 - Supply disable via terminal input pin
- CDMA and GPS available via Murata GSC miniature RF connector
- GPS
 - Stand alone GPS available at AT command interface
 - GpsOne® (User and Control plane)
 - NMEA data
 - GPS fix on demand
 - Dedicated GPS antenna connection with active antenna support



Applications

Suitable for all M2M Applications

- Fleet Management
- Asset Tracking
- Security Systems
- Telemetry
- Telematics & Telecontrol
- Remote Monitoring Systems
- Remote Meter Reading
- Vending Machines

Terminus Models & Ordering

Ordering	Description
CDMA864CF V2.00	Terminus CDMA Plug-In Modem - Sprint Certified
CDMA864CF V3.00	Terminus CDMA Plug-In Modem - Verizon Pending
Additional Plug-In Products	
GSM865CF V1.1	Terminus GSM Plug-In Modem - GPS enabled
GSM865CF V2.00	Terminus GSM Plug-In Modem - without GPS
UMTS864CF V1.00	Terminus UMTS Plug-In Modem

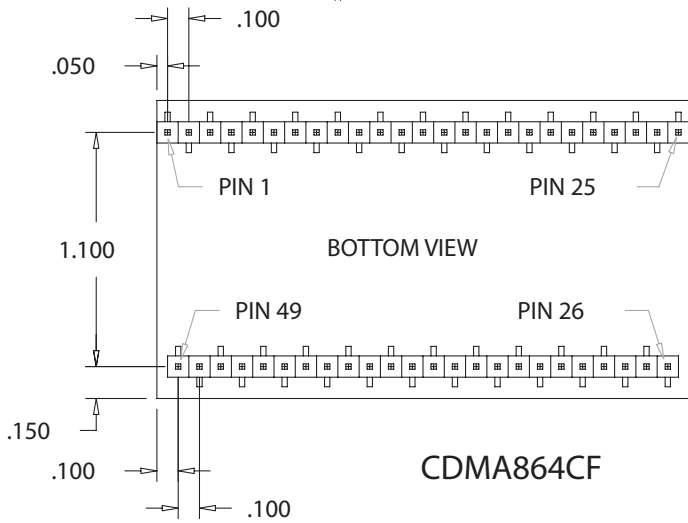
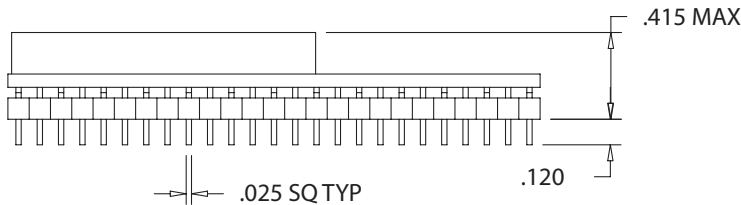
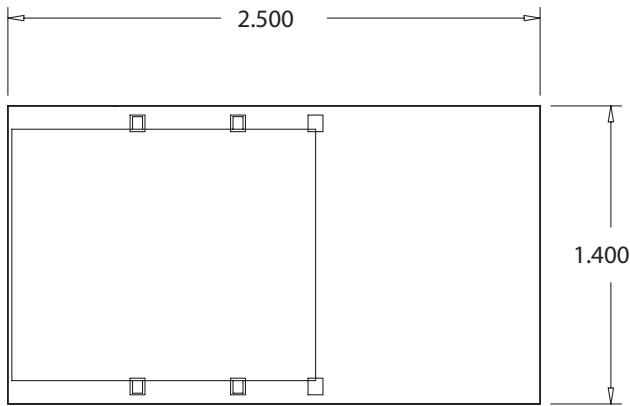
2111 Comprehensive Drive
Aurora, Illinois 60505
630.499.2121
Fax: 630.851.5040
www.janus-rc.com

Bulletin **JA03-PB_CDMA**
Revision **00**
Date **1 Sept 2011**

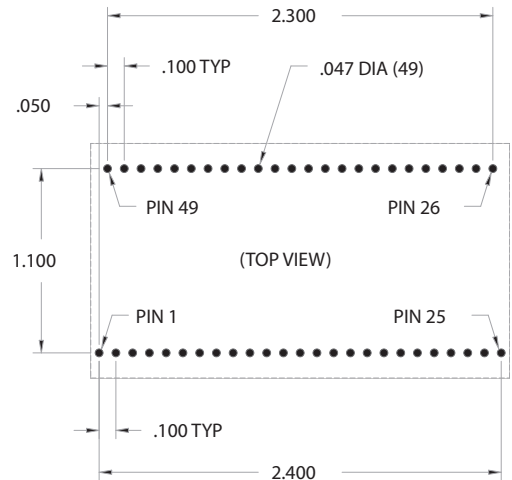


Making machines talk.

Terminus Plug-In Series CDMA864CF Terminal Modem



CDMA Mechanical Drawing



Terminus Plug-In

JANUS REMOTE
COMMUNICATIONS

Division of The Connor-Winfield Corporation
2111 Comprehensive Drive • Aurora, Illinois 60505
630.499.2121 • Fax: 630.851.5040

www.janus-rc.com



Making machines talk.

Janus Remote Communications Europe

Bay 143
Shannon Industrial Estate
Shannon, Co. Clare, Ireland
Phone: +353 61 475 666