

## Terminus CDMA400AP V2 ADVANCED

### Description

Introducing the Terminus CDMA400AP, an open platform intelligent cellular terminal. Building on our highly successful Terminus line of M2M modules and terminals, the Terminus CDMA400AP is a complete wireless communication device with an integrated ARM9™ processor and expanded memory. It includes serial, USB and Ethernet connectivity and a voltage input range from 7 to 26 VDC. The Atmel ARM9™ architecture is capable of 400 MIPS and operates with Linux™ OS. The CDMA400AP Series is the next evolution of M2M communications.



### Features

- ARM9™ Processor capable of running embedded Linux™
- 128 MB of NAND Flash
- 64 MB of SDRAM
- CDMA Platform
- 802.3 Ethernet 10/100
- USB Host Port
- Externally exposed RS-232 and RS-485 ports
- 2 CAN Interfaces (2 Channel)
- Embedded GPS (except GSM400AP V2.00)
- 4 Exposed CMOS GPIOs
- Ruggedized Aluminum Enclosure
- Dimensions: 3.15" (L) x 4.27" (W) x 1.18" (H)

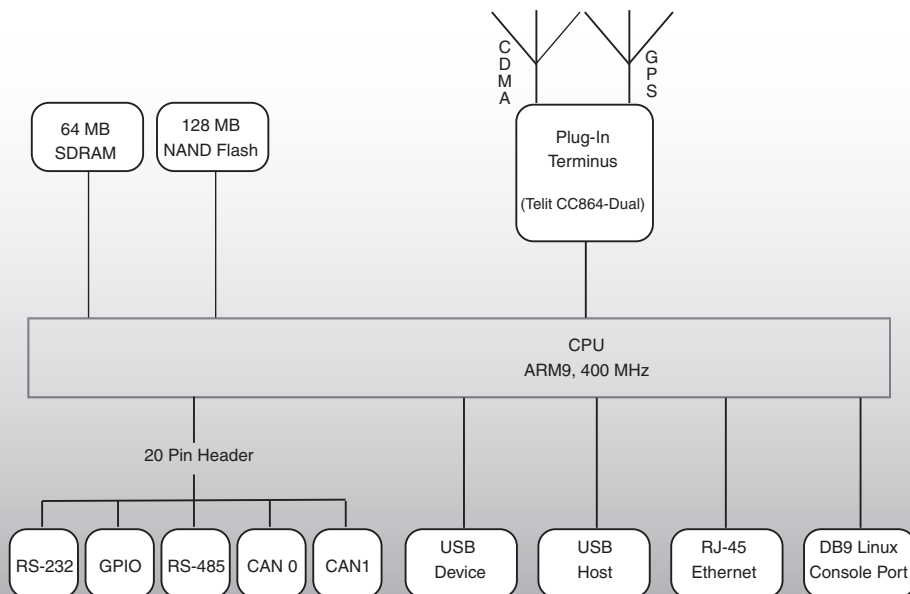
### Benefits

- Quick-to-market solution
- Increased reliability from a proven hardware platform
- Uses Linux-based open source software for simplified development
- Cost-effective solution to custom manufacturing
- Easily adapts to future technology



Making machines talk.

2111 Comprehensive Drive  
Aurora, Illinois 60505  
**630.499.2121**  
Fax: 630.851.5040  
www.janus-rc.com



Terminus CDMA400AP Block Diagram

# Terminus CDMA400AP V2

## ADVANCED

### Hardware Specifications

#### Processor & Memory

400 MHz ARM9™ CPU  
128 MB NAND Flash  
64 MB SDRAM

#### External Interfaces & Connectors

Power Input: 7 to 26 Vdc  
Connectors: DB-9, USB 1.1, RJ-45 10/100 Ethernet, GPS MCX female and GSM/CDMA SMA female  
LEDs for power, cellular link status, Ethernet link, and speed  
1 programmable LED for application specific use

#### Internal Peripherals

Full GPS receiver  
2.5G cellular modem)  
Debug serial console port  
CAN controller  
Ethernet controller



**JANUS** REMOTE  
COMMUNICATIONS

Division of The Connor-Winfield Corporation  
2111 Comprehensive Drive • Aurora, Illinois 60505  
630.499.2121 • Fax: 630.851.5040

[www.janus-rc.com](http://www.janus-rc.com)

**Janus Remote Communications Europe**  
Bay 143  
Shannon Industrial Estate  
Shannon, Co. Clare, Ireland  
Phone: +353 61 475 666