

MTX-Gateway Terminal

Powerful flexible Gateway Terminal.

Coming soon
Proto. Jun. 13
Prod. Oct 13

Unlimited power. No limits for M2M



LTE
HSPA+
GPRS
WIFI
GPS

ARM9 454MHz
FLASH 2GB
RAM 128MB
EEPROM 32KB

1 RS232/RS485/RS422
1 RS485
1 RS232

USB OTG port

GPIO

CAN
1-Wire bus

Ethernet

VGA port optional

GPRS receiver optional

WIFI optional

RF card for Gateway

LINUX 3.5

MTX-GATEWAY TERMINAL

The MTX-Gateway terminal is an innovative unlimited power flexible terminal with complete set of interfaces (serial bus RS232/485, CAN, USB OTG, GPIO...) powered by ARM9 processor board with embedded Linux. Easy to integrate and powerful interfaces, avoids further hardware components.

MT-Gateway embeds an i.MX28 (TQMa28) board ARM9@454MHz RAM@128MB FLASH@2GB EEPROM@32KB with JAVA VM loaded.

Plenty of interfaces: Ethernet, USB OTG, 3 serial ports (RS232, RS232/RS485, RS485), CAN and even VGA video port, it can be used in any **infinite** M2M applications.

GPS receiver and/or WIFI b/g/n (AP support) board can be ordered as option.

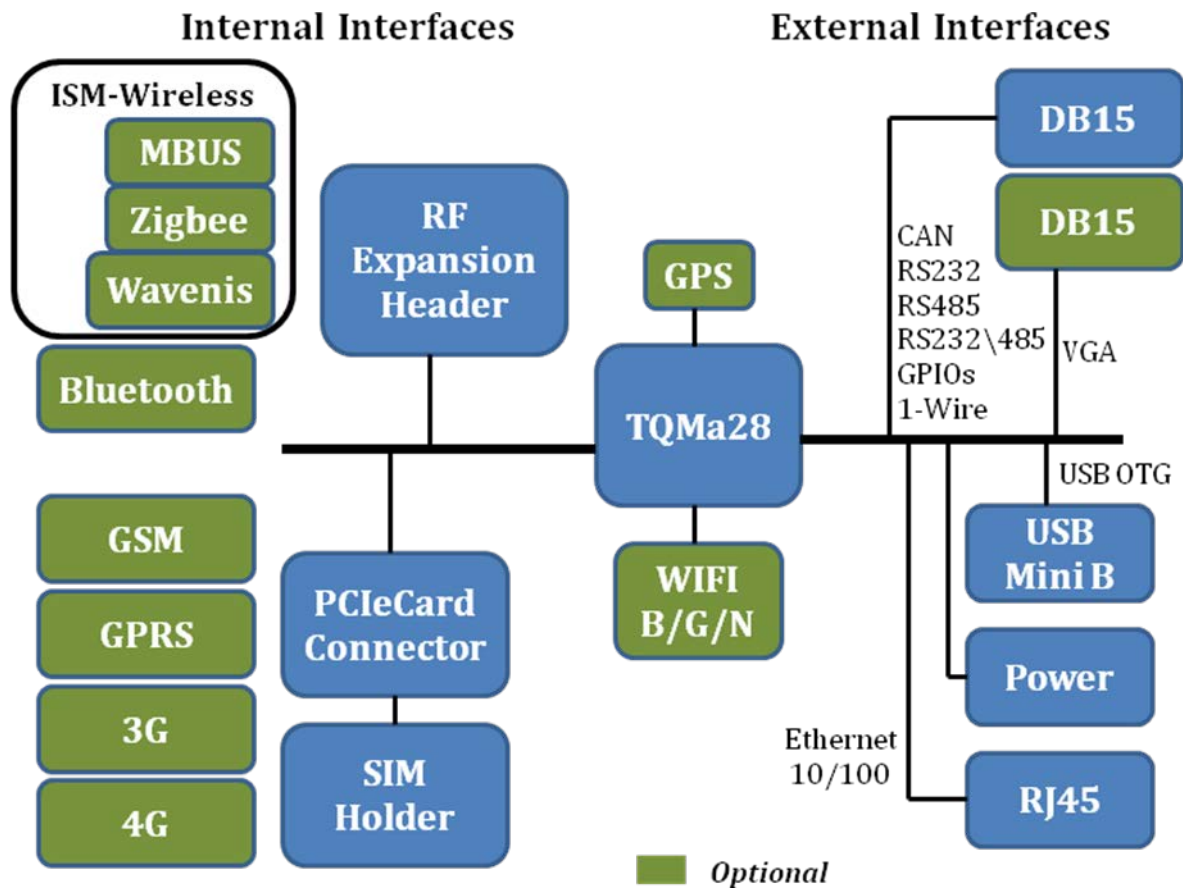
Internal miniPCIe slot can accommodate any communication board for your needs:

- LTE & GPS
- HSPA
- WIFI
- HSPA+ & GPS
- GPRS
- GPS

Optional RF Card. At same time, RF card can be installed inside and then develop RF gateways in a easy way. We have chosen the best of every radio technology:

- RF Mesh Wavenis
- WIFI
- ISM 868/915
- Bluetooth 2.1/LE (smart)
- Wireless MBUS/KNX
- ZigBee

MTX-Gateway is RoHs & WEEE compliant. It is manufactured with the ISO 9001 & ISO 14001 Quality certifications. A full list of antennas, cables and supplies accessories are available.



General features:

- Supply voltage range: 6 ... 30 V
 - Temperature range
 - Operation: -40°C to +85°C
 - Dimensions.
- Excluding connectors: 78,1 x 66,8 x 37,2 mm

Interfaces:

- ETHERNET RJ45
- 15-way HD-Dsub:
 - 1 RS232 2 wires
 - 1 RS232/RS485/RS422 4 wires
 - 1 RS485 2 wires
 - 3 GPIO
 - CAN 2 wires
 - 1 WIRE
 - 1 VREF+GND
- USB 2.0 OTG
- Operating status LED
- SIM card interface 3 V, 1.8 V
- Plug-in RJ power supply
- FME M 50 Ohm antenna connector
- SMA F connector for WIFI/GPS or RF

Models:

MTX-GATEWAY

MTX-GATEWAY+WIFI

MTX-GATEWAY+VGA

MiniPCIe HALF only allowed

MTX-GATEWAY+RF

Radio Frequency card inside (ASC1 connected). SMA connector.

Wavenis	Bluetooth 2.1/LE
Wifi	Wireless MBUS/KNX
ISM 868/915	ZigBee

MTX-TERMINALS

C/ Alejandro Sánchez, 109
28019 – Madrid- España
Tel. +34 91 5602737
Fax. +34 91 5652865
www.MTX-Terminals.com
gsm-support@matrix.es