



MTX-65+G+B V7 TERMINAL

User Manual

The perfect combination
of communication &
location intelligent unit



Powered by CINTERION Wireless Module TC65i rel.2 and Trimble C1216



General Notes

Product is deemed accepted by recipient and is provided without interface to recipient's products. The documentation and/or product are provided for testing, evaluation, integration and information purposes. The documentation and/or product are provided on an "as is" basis only and may contain deficiencies or inadequacies. The documentation and/or product are provided without warranty of any kind, express or implied. To the maximum extent permitted by applicable law, Matrix Electronica further disclaims all warranties; including without limitation any implied warranties of merchantability, completeness, fitness for a particular purpose and non-infringement of third-party rights. The entire risk arising out of the use or performance of the product and documentation remains with the recipient. This product is not intended for use in life support appliances, devices or systems where the malfunction of the product can reasonably be expected to result in personal injury. Applications incorporating the described product must be designed to be in accordance with the technical specifications provided in these guidelines. Failure to comply with any of the required procedures can result in malfunctions or serious discrepancies in results.

Furthermore, all safety instructions regarding the use of mobile technical systems, including GSM products, which also apply to cellular phones, must be followed. Matrix Electronica or its suppliers shall, regardless of any legal theory upon which the claim is based, not be liable for any consequential, incidental, direct, indirect, punitive or any other damages whatsoever (including, without limitation, damages for loss of business profits, business interruption, loss of business information or data, or other pecuniary loss) that arise out of the use of or inability to use the documentation and/or product, even if Matrix Electronica has been advised of the possibility of such damages. The foregoing limitations of liability shall not apply in case of mandatory liability, e.g. under the Spanish Product Liability Act, in case of intent, gross negligence, injury of life, body or health, or breach of a condition included in the contract. However, claims for damages arising from a breach of a condition included in the contract shall be limited to the foreseeable damage, which is incorporated in the contract, unless caused by intent or gross negligence or based on liability for injury of life, body or health. The above provision does not imply a change on the burden of proof to the detriment of the recipient. It is subject to change without notice at any time. The interpretation of this general note shall be governed and construed according to Spanish law without reference to any other substantive law.

Important information

This technical description contains important information for start up and use of the MTX-65+G+B V7 Terminal.

Read it carefully before you start working with the MTX-65+G+B V7 Terminal.

The warranty will be void should damage occur due to non-compliance with these instructions for use.

We cannot accept any responsibility for consequential loss.

Service and Support

To contact customer support please use the contact details below:

Matrix Electronica
Alejandro Sanchez, 109
28019 Madrid –Spain-
gsm-support@matrix.es
Tel. +34915602737

Information about MTX-65+G+B V7 product and accessories is available on the following web site:

<http://www.mtx-terminals.com>

Contact us for FTP site user & password

<ftp://ftp.matrix.es/MTX-Terminals/>

Or contact your local distributor / sales agent:

REVISION INFORMATION

FIRST EDITION. VERSION 1.0. Release: May 2013

1. INTRODUCTION6

1.1 Description 6

1.2 ORDERING INFORMATION 6

1.3 Highlights 7

1.4 DIFFERENCES between MTX-65+G+B V7 and MTX-65+G+B V5 9

1.5 MTX-65+G+B V7 Wireless modems in a Communication System 11

1.6 Main Features and Services 11

 1.6.1 Types of Mobile Station 11

 1.6.2 Short Message Service 12

 1.6.3 Voice Calls 12

 1.6.4 Data 12

 1.6.5 GPRS Multi-Slot Support 13

 1.6.6 Power Consumption 13

 1.6.7 SIM Card 15

1.7 Precautions 15

2. MECHANICAL DESCRIPTION 15

2.1 Overview 15

2.2. Dimensions 16

3. ELECTRICAL DESCRIPTION 17

3.1 Power Connector 17

3.2 Audio Connector 18

3.3 Mini USB Connector 21

3.4 GSM Antenna Connector 22

3.5. SIM card reader 22

3.6 MAIN Serial RS232 Interface Port ASC0 22

3.7 Interfaces 25

 3.7.1. General Purpose Input/Output IO 25

 3.7.2. I2C Serial Control Bus 27

 3.7.3. SPI Bus 28

 3.7.4. Analog-to-Digital Converter (ADC) 28

 3.7.5 Real Time Clock 29

3.8. GPS antenna connector 29

3.9. GPS Application Interface 30

 3.9.1 Operating Principles 30

 3.9.2 GPS-GSM Interface 33

 3.9.3 Software Control 33

 3.9.4 Power Saving 34

 3.9.5 GPS Antenna 34

3.10. Software Updates 35

4. OPERATION 36

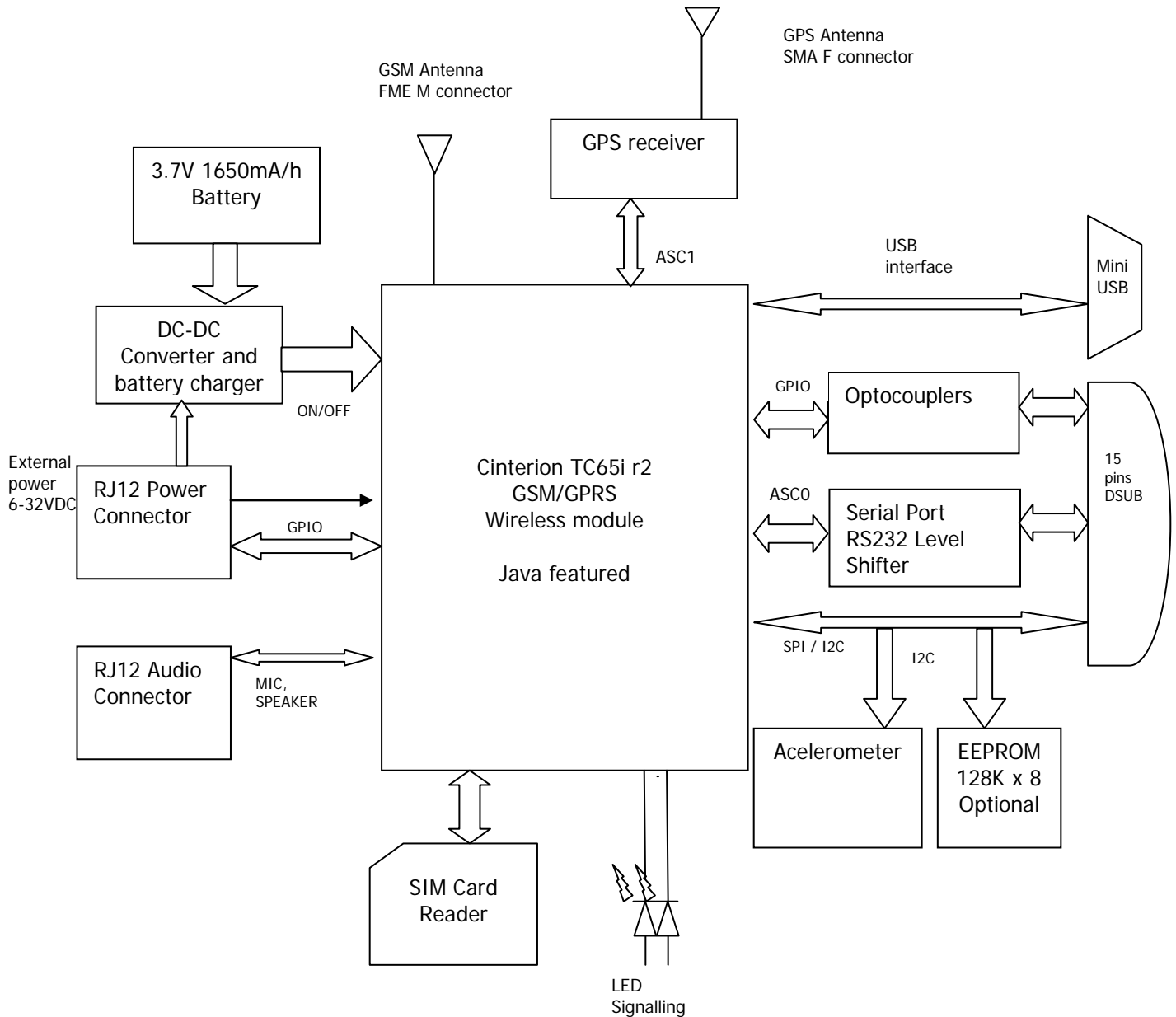
4.1 Switching On the Modem. New "Automatic Restart after shutdown" feature. 36

4.2 Switching Off the Modem 36

4.3 Operating States/LED 41

5. EMBEDDED APPLICATIONS.....	43
6 SAFETY AND PRODUCT CARE.....	44
6.1. Safety instructions	44
6.2. General precautions	44
6.3. SIM card precautions	45
6.4. Antenna precautions	45
6.5. Radio Frequency (RF) exposure and SAR	45
6.6. Personal Medical Devices	46
7. INSTALLATION OF THE MODEM	47
7.1 Where to install the modem	47
7.1.1 <i>Environmental conditions</i>	47
7.1.2 <i>Signal strength</i>	47
7.1.3 <i>Connections of components to MTX-65+G+B V7 Terminal</i>	47
7.1.4 <i>Network and Subscription</i>	47
7.2 How to install the modem	47
7.2.1 <i>Power supply</i>	47
7.2.2 <i>Securing the modem</i>	48
7.3 Antenna	48
7.3.1 <i>General</i>	48
7.3.2 <i>Antenna type</i>	48
7.3.3 <i>Antenna placement</i>	48
7.3.4 <i>The antenna cable</i>	48
7.3.5 <i>Possible communications disturbances</i>	49
8. ACCESSORIES.....	50
8.1. POWER SUPPLY.....	50
8.1.1 <i>AC Power Adaptor</i>	50
8.1.2 <i>DC cable</i>	50
8.2. ANTENNAS.....	51
8.2.1 <i>GSM Magnetic Dual Band Antenna (900/1800MHz)</i>	51
8.2.2 <i>GSM Right angle short antenna</i>	51
8.2.3 <i>GSM Patch Adhesive Antenna</i>	51
8.3. CABLES.....	52
8.3.1 <i>Main port - RS232 4-way Serial Cable</i>	52
8.3.2 <i>USB CABLE</i>	53
8.3.3 <i>Adapter DB15 F – DB9 M</i>	53
8.4. <i>DIN Mounting Kit</i>	53
9, CONFORMITY ASSESSMENT.....	54
FCC COMPLIANT AND SAR INFORMATION.....	55
10. ROHS STATEMENT.....	56
11. DISPOSAL OF OLD ELECTRICAL & ELECTRONIC EQUIPMENT (WEEE MARK).....	56
12. ABBREVIATIONS.....	57
13. AT COMMAND SUMMARY	58
15. SALES CONTACT	66

MTX-65+G+B V7 JAVA enabled Combi GSM/GPRS + GPS terminal BLOCK DIAGRAM



1. INTRODUCTION

1.1 Description

The MTX-65+G+B V7 is an intelligent GPS receiver plus a GSM/GPRS radio terminal that encapsulates everything you need for wireless M2M capability in one compact unit.

The MTX-65+G+B V7, in conjunction with JAVA SDK software package, can host and control your wireless application, minimizing the need for extra components.

Alternatively, it can be used as a powerful standalone GPRS modem with its intrinsic TCP/IP stack.

The MTX-65+G+B V7 is a self contained terminal with its own SIM card reader and a standard connector interface, minimizing the need for further hardware development. This terminal can be used as a powerful and flexible device that can be used in a wide range of telemetry and telematics applications that rely on the remote exchange of data, voice, SMS or faxes via the GSM cellular network.

As well as providing a standard RS232 serial communication interface, the MTX-65+G+B V7 also has an audio interface allowing an analogue handset to be connected. Also a USB port is included to allow the connectivity to all relevant PCs and control boards in office and industrial environments. The MTX-65+G+B V7 has a wide and useful range of IOs in their main port that can be reconfigured to add functions and features that make your M2M solution both innovative and cost effective.

The MTX-65+G+B V7 can be used to provide a communications link for a variety of wireless applications including fleet and asset management, vending, security and alarm monitoring, e-maintenance and other telemetry applications.

With quad band 900/1800 MHz and 850/1900 MHz, your applications can be used all over the world.

The MTX-65+G+B V7 incorporate a Cinterion WM TC65i module Release 2 and Trimble GPS receiver C1216

Note! Some of the functions described inside this Technical Description are only possible when the SIM-Card is inserted

1.2 ORDERING INFORMATION

MTX-65+G+B V7

Ordering CODE 199801302

Hardware revision: HR 5.02

Firmware revision: FW 02.004

1.3 Highlights

Interfaces

- GSM FME M antenna connector
- GPS SMA F antenna connector
 - 3 Opto isolated Inputs (1 for pulse counter)
 - 3 Opto isolated Outputs
 - 1 TTL input/output GPIO
 - 2 Analog Input
 - 1 x I2C/SPI bus. SPI optional, not available by default.
 - 1 x 4-wires RS232 UART flow control
- USB 2.0 port
- GREEN and RED Operating status LEDs
- SIM card interface 3 V, 1.8 V
- Plug-in power supply and on/off interfaces
- Handset audio interface common mode

General Features

- Quad-Band GSM 850/900/1800/1900 MHz
- GPRS multi-slot class 12
- GSM release 99
- Control via AT commands
- SIM Application Toolkit (release 99)
- TCP/IP stack access via AT commands
- Internet Services: TCP, UDP, HTTP, FTP, SMTP, POP3
- Supply voltage range: 6 ... 36 Vdc
- Power consumption (at 12 V):
 - Power down 0,5 mA
 - Sleep mode (registered DRX = 6) 29mA.
 - Speech mode (average) 360 mA
 - GPRS class 12 (average) 600 mA
- Temperature range
 - Operation*: -40°C to +85°C
- Dimensions. Excluding connectors: 78.1 x 66.8 x 37.2 mm
- Weight: < 190 g
- Accelerometer (internal connected to I2C)
- Hardware watchdog

GPRS data transmission

- GPRS class 12
- Mobile station class B
- PBCCH support
- Coding schemes CS 1-4

Multiple simultaneous PDP contexts

CSD data transmission

- Up to 14.4 Kbit/s
- V.110
- Non-transparent mode
- USSD support

Specification for fax

- Group 3, class 1, 2

Voice Features

- Triple-rate codec for HR, FR, and EFR
- Adaptive multi-rate AMR
- Basic hands-free operation
- Echo cancellation
- Noise reduction

Short Message Service (SMS) Features

- Point-to-point MO and MT
- SMS cell broadcast
- Text and PDU mode

Internet Protocols

TCP/UDP/IP protocol stack

Extensive AT command access to TCP/IP stack

Internet Services: TCP, UDP, HTTP, FTP, SMTP, POP3

Specification for GPS

- Receiver 22 channel, L1 1575.42 MHz
- Accuracy Position: <2.5 m 50%
- Position with DGPS/SBAS: <2.0 m 50%
- Support of SBAS (WAAS/EGNOS/MSAS) data
- GPS active antenna supply: 3.0 V
- GPS antenna supervision
- A-GPS enabled
- Tracking sensitivity: -160 dBm (with external antenna)
- Date WGS-84
- Start-up Time
 - Hot start: < 2 s
 - Warm start: 35 s
 - Cold start: 38 s
- Protocols: NMEA-0183. Baudrate 9600 default, configurable 4800,19200, 38400, 57600, 115200
- NMEA-0183 Messages: GGA, GSA, GSV, RMC, CHN, GLL, VTG, ZDA.

Open application resources

ARM© Core, Blackfin© DSP

- Memory: 400 KB (RAM) and 1.7 MB (Flash)
- Improved power-saving modes

Java™ features:

- CLDC 1.1 HI
- J2ME™ profile IMP-NG
- Secure data transmission with HTTPS, SSL and PKI

Over-the-air update

- Application SW: OTAP
- Firmware: FOTA (OMA compliant)

1.4 DIFFERENCES between MTX-65+G+B V7 and MTX-65+G+B V5

Release note

MTX-65+G+B V7 is an enhanced version of the old MTX-65+G+B-V5 terminal, with full back wards hardware compatibility but with differences in functional features.

MTX-65+G+B V7 have introduced the following features:

• **MTX-65+G+B V5 vs. MTX-65+G+B V7**

ALL DIFFERENCES relate to internal module.

All external electrical, external interfaces and interfaces are the SAME giving 99% compatibility

NEW and ENHANCED FEATURES

- ▶ ARM9 MTX65+G-V6 vs. ARM7 in MTX-65+G-V3. It has more power.
- ▶ Low temperature range has been extended for TC65i to support restricted operation down to -40°C.
- ▶ A major benefit of TC65i is an ultra low current consumption in all SLEEP modes, cut down to less than half the range of TC65. IDLE mode current is about 40% lower than with TC65.
- ▶ In transfer modes the current consumption has been minimized up to 50% depending on the connection type.
- ▶ Manufacturer Name, USB Vendor ID changed Siemens to Cinterion
- ▶ With TC65i, Cinterion introduces an improved multiband selection procedure.
- ▶ TC65i provides dedicated Java APIs for direct access to module's interfaces I2C, SPI, DAC and ADC.
- ▶ GPS: Simple AGPS feature.
- ▶ Better power consumption.
 - ▶ TC65i features ultra low current consumption in all SLEEP modes, cut down to less than half the range of TC65. IDLE mode current is about 40% lower than with TC65. In transfer modes the current consumption has been minimized up to 50% depending on the connection type.
- ▶ MTX65+G+B V7 Condor C1216GPS can be put in low power and active mode with NMEA command.
 - ▶ 8.25mW (2.5mA)
- ▶ GPS Antenna supervision NMEA command is available
- ▶ GPS Receiver. Better sensitivity. 5Hz update rate
- ▶ Intention to have various options
 - ▶ Added to I2C bus to GPIO extender chip
 - ▶ Can be used to switch off/on the GPS
 - ▶ All benefits from new TC65i-X
 - ▶ More memory

	MTX-65+G+B V5	MTX-65+G+B V7
Cinterion module	XT65 rel 2	TC65i rel 2
SDK		
API for I2C, SPI, DAC, ADC	NO	YES
Transparent TCP Service	NO	YES
TLS/SSL for TCP Client, Transparent TCP and HTTP	NO	YES
Tunneling mode	Only transparent GPS mode	YES
Informal network scan (without SIM)	NO	YES
SMS based diagnostics	NO	YES
GPS inside	ANTARIS 4	C1216 (Trimble)
AT commands to use GPS	AT^SGPSS, AT^SGPSC, AT^SGPSP, AT^SGPSR	NOT SUPPORTED
	Location API (JSR179) for GPS access	Java Location API The package com.cinterion.location includes a Location API to support external GPS applications: Coordinates Class Landmark Class LandmarkStore Class QualifiedCoordinates Class AddressInfo Class
Custom Options		TC65i-X 2M RAM 8M FLASH FOTA without external memory
		I2C chip to GPIO extender -Switch off/on the GPS -1 Mbit EEPROM
Battery inside	YES	YES
MTX-TUNNEL GPS	Ver 2.5	Ver 2.8

1.5 MTX-65+G+B V7 Wireless modems in a Communication System

Figure 1 and Figure 2 illustrate the main blocks of a wireless communication system using the wireless modem. Figure 1 show the communication system when a micro-controller is used. They also show the communication principles of the system and the interface between the wireless modem and the application and Figure 2 shows the communication system when the JAVA application is embedded on the wireless modem. The definitions in the figures, as used elsewhere in this manual, are in accordance with the recommendations of 3GPP TS 27.007.

The MS (mobile station) represents the wireless modem and SIM card. The wireless modem excluding SIM card, is known as the ME (mobile equipment).

The DTE (data terminal equipment) is the controlling application. This can be either an external host or an internal embedded application.

The DCE (data circuit terminating equipment) is the serial communication interface of the MS.

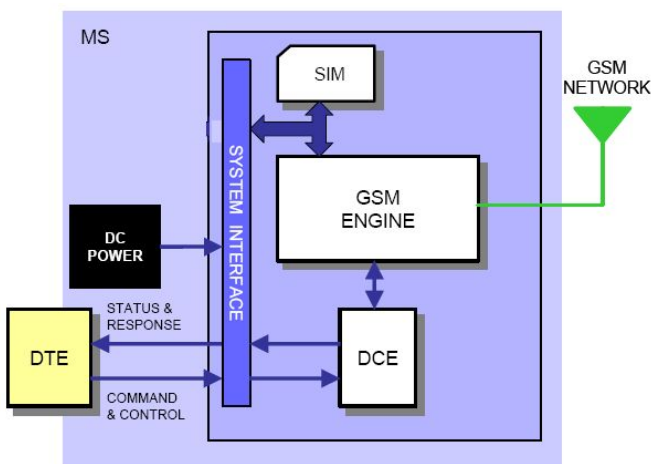


Figure 1. Main Blocks in a Wireless System (external micro-controller)

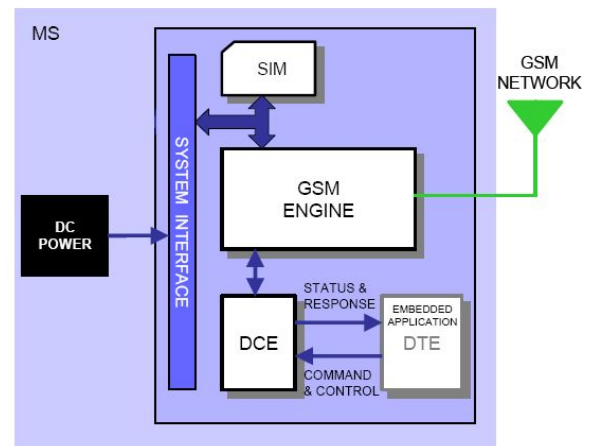


Figure 2. Main Blocks in a Wireless System (embedded application)

1.6 Main Features and Services

The MTX-65+G+B V7 perform a set of telecom services (TS) according to GSM standard phase 2+, ETSI and ITU-T. The services and functions of the MTX-65+G+B V7 are implemented by issuing customized applications embedded on the device, or by AT commands issued internally, or over the RS232 serial interface.

1.6.1 Types of Mobile Station

The MTX-65+G+B V7 is a fully Quad Band capable GSM/GPRS mobile station with the characteristics shown in the table below.

Feature		GSM850	E-GSM900	GSM1800	GSM1900
Frequency range (MHz)	Tx	824-849	880-915	1710-1785	1850-1910
	Rx	869-894	925-960	1805-1880	1930-1990
RF power @ARP with 50Ω load (typ)		33dBm	33dBm	30dBm	30dBm
Channel spacing		200kHz	200kHz	200kHz	200kHz
Number of channels		124	174	374	299
Number of TD slots		8	8	8	8
Duplex spacing		45MHz	45MHz	95MHz	80MHz
GSM power class		4 (2W)	4 (2W)	1 (1W)	1 (1W)
Modulation		GMSK			
Receive sensitivity		<-102dBm at antenna connector			
GPRS multi-slot class		Class 12			

1.6.2 Short Message Service

The wireless modem supports the following SMS services:

- Sending; MO (mobile-originated) with both PDU (protocol data unit) and text mode supported
- Receiving; MT (mobile-terminated) with both PDU and text mode supported
- CBM (cell broadcast message); a service in which a message is sent to all subscribers located in one or more specific cells in the GSM network (for example, traffic reports)
- SMS status report according to 3GPP TS 23.40

The maximum length of a text mode SMS message is 160 characters using 7-bit encoding. The wireless modem supports up to six concatenated messages to extend this function. Concatenation is performed by the host application.

1.6.3 Voice Calls

The wireless modem offers the capability of MO (mobile originated) and MT (mobile terminated) voice calls, as well as supporting emergency calls. Multi-party, call waiting and call divert features are available. Some of these features are network operator specific.

For the inter-connection of audio, the wireless modem offers balanced analogue input and output lines. The wireless modems support HR, FR, EFR and AMR vocoders.

1.6.4 Data

The wireless modem supports the following data protocols:

- GPRS (General Packet Radio Service)

The wireless modem is a Class B terminal. The wireless modem is GPRS multi-slot class12 (4+4) enabled, capable of receiving at a maximum of 4 timeslots per frame (down link), and transmitting in 4 timeslots per frame (up link). See section 1.4.5 for multi-slot allocation by class.

- CSD (Circuit Switched Data)

The MTX-65+G+B V7 wireless modem is capable of establishing a CSD communication at 9.6 kbps and 14.4 kbps over the air.

1.6.5 GPRS Multi-Slot Support

GSM Multi-slot classes supported by MTX-65+G+B V7

Multi-slot Class	Maximum slot allocation			Allowable Configuration	Max data rate
	Downlink	Uplink	Active		
8	4	1	5	1 up; 4 down	8-12Kbps Send 32-48Kbps Receive
10	4	2	5	1 up; 4 down	8-12Kbps Send 32-48Kbps Receive
				2 up; 3 down	16-24Kbps Send 24-36Kbps Receive
12	4	4	5	1 up 4 down	8-12kpbs per slot
				2 up 3 down	
				3 up 2 down	
				4 up 1 down	

1.6.6 Power Consumption

The table below briefly summarizes the various operating modes referred to in the following chapters.

Normal operation	GSM / GPRS SLEEP	Various power save modes set with AT+CFUN command. Software is active to minimum extent. If the Terminal was registered to the GSM network in IDLE mode, it is registered and paging with the BTS in SLEEP mode too. Power saving can be chosen at different levels: The NON-CYCLIC SLEEP mode (AT+CFUN=0) disables the AT interface. The CYCLIC SLEEP modes AT+CFUN=7 and 9 alternately activate and deactivate the AT interfaces to allow permanent access to all AT commands.
	GSM IDLE	Software is active. Once registered to the GSM network paging with BTS is carried out. The Terminal is ready to send and receive.
	GSM TALK	Connection between two subscribers is in progress. Power consumption depends on the network coverage's individual settings, such as DTX off/on, FR/EFR/HR, hopping sequences and antenna.
	GPRS IDLE	Terminal is ready for GPRS data transfer, but no data is currently sent or received. Power consumption depends on network settings and GPRS configuration (e.g. multi-slot settings).
	GPRS DATA	GPRS data transfer in progress. Power consumption depends on network settings (e.g. power control level), uplink / downlink data rates, GPRS configuration (e.g. used multi-slot settings) and reduction of maximum output power.
	GPS Transparency	GPS transparent mode. The mode is set by AT command.
POWER DOWN	Normal shutdown after sending the AT^SMSO command, after pressing the ON/OFF key or after the activation of the ON/OFF line. The RTC works continuously, but the software is not active. Interfaces are not accessible.	
Airplane mode	Airplane mode shuts down the radio part, causes the Terminal to log off from the GSM/GPRS network and disables all AT commands whose execution requires a radio connection. Airplane mode can be controlled by the AT commands AT^SCFG and AT+CALA: <ul style="list-style-type: none"> • With AT^SCFG= MEopMode/Airplane/OnStart the Terminal can be configured to enter the Airplane mode each time when switched on or reset. • The parameter AT^SCFG=MEopMode/Airplane can be used to switch back and forth between Normal mode and Airplane mode any time during operation. • Setting an alarm time with AT+CALA followed by AT^SMSO wakes the module up into Airplane mode at the scheduled time. 	

Average power consumption

Parameter	Description	Conditions	Min	Typ	Max	Unit	
VPOWER	Operating Voltage	for one minute	6	12	32	V	
IPOWER Average supply current (average time 3 min.) @25°C @ worst case: GSM 900 max power level	Power Down mode	@8V				mA	
		@12V		0.50			
		@30V					
		SLEEP mode	@8V				mA
			@12V		29		
			@30V				
		IDLE mode	@8V				mA
			@12V		36		
			@30V				
	TALK mode	@8V				mA	
		@12V		184			
		@30V					
	Data GPRS 1Tx / 4Rx	@8V				mA	
		@12V		173			
		@30V					
	Data GPRS 2Tx / 3Rx (Power reduction = 3dB)	@8V				mA	
		@12V		248			
		@30V					
	Data GPRS 4Tx / 1Rx (Power reduction = 6dB)	@8V				mA	
		@12V		330			
		@30V					
	IPOWER_P (6)	Peak supply current during transmission slot (577µs * No. of Tx every 4.6ms)	Power control level for Pout max	@8V			mA
				@12V		910	
				@30V			

The power consumption figures shown represent typical average current and making different multi-slot configurations, the worst case being that of two uplink and three downlink slots.

(6) Typical values measured with antenna impedance = 50Ohm (return loss >20dB)

1.6.7 SIM Card

The MTX-65+G+B V7 support an external SIM card through the integrated SIM holder. Both 3V and 1.8V SIM technology is supported. Older, 5V SIM technology is not supported.

1.7 Precautions

The MTX-65+G+B V7 as a standalone item is designed for indoor use only. For outdoor use it must be integrated into a weatherproof enclosure. Do not exceed the environmental and electrical limits as specified in Technical Data.

2. MECHANICAL DESCRIPTION

2.1 Overview

The pictures below show the mechanical design of the module along with the positions of the different connectors and mounting holes. The module case is made of durable PC/ABS plastic.

2.2. Dimensions

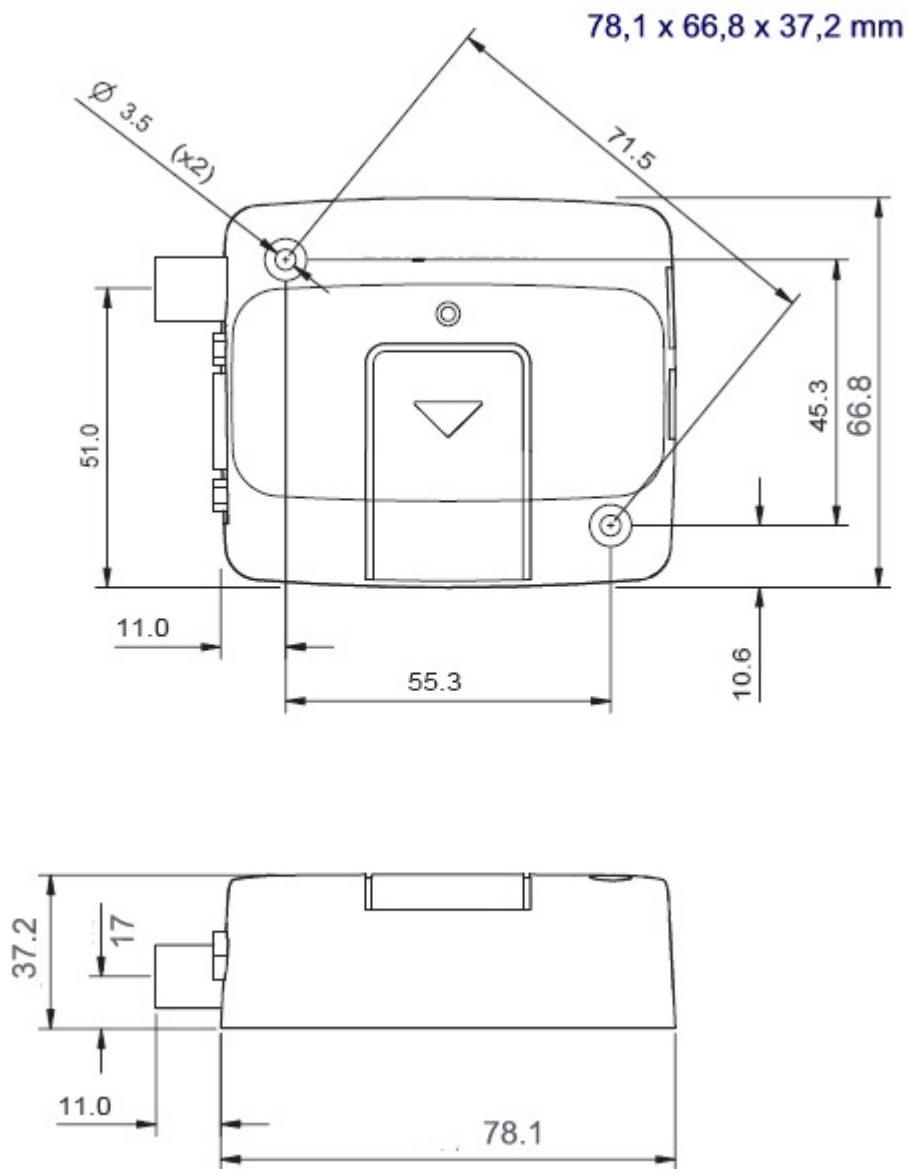


Figure 5. Dimensions of the MTX-65+G terminal in mm

3. ELECTRICAL DESCRIPTION

All electrical connections to the module are protected in compliance with the standard air and contact Electrostatic Discharge (ESD).

The module uses the following industry standard connectors:

- High density 15 pin D-Sub (Main RS232 UART and extended I/O interface)
- RJ12 6-way (power supply connector)
- RJ12 4-way (handset connector)
- SIM card reader
- FME male coaxial jack (GSM antenna connector)
- SMA female coaxial jack (GPS antenna connector)

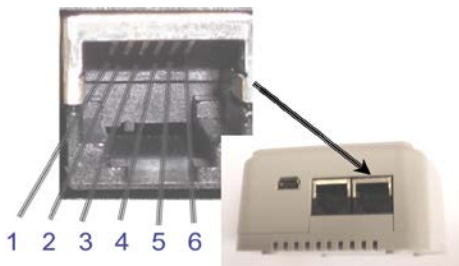
3.1 Power Connector

An RJ12 6-way connector, as shown and described below, serves means of supplying and controlling D.C. power to the modem.

The supply voltage, VCC, required by the modem is in the range 9-30V DC. We recommend a 12V DC power supply. The power supply has to be a single voltage source capable of providing a peak during an active transmission. The uplink burst causes strong ripples (drop) on the power lines.

By DEFAULT, MTX-65+G+B V7 is shipped to switch on automatically only with supply at PIN 1 and PIN 6. If you disable "Automatic power up" you will need to use the additional active-low control signal, TURN_ON, must applied for > 0.2s.

A second active-low control signal, TURN_OFF, can be used to switch modem off or to perform hardware reset (if automatic restart feature, page 35 is enabled) when applied for > 0,1s.



<i>PIN:</i>	<i>Signal</i>	<i>Dir</i>	<i>Limits</i>	<i>Description</i>
1	Vin	Input	6-32 Vdc	Positive power input
2	OUT4-GPIO6	Output	Vmax 80V Io max: 50mA	Opto isolated output GP06 + Red LED 0= Hi impedance 1=Active =Vin.
3	TURN_OFF	Input	0 – Vin	Opto isolated input Active low control line used to switch off or reset the modem Power off: t >10ms
4	TURN_ON	Input	0 – Vin	Opto isolated input Active low control line used to switch on the modem Power on: t > 0.4s
5	IN4 GPIO5	Input	7 – Vin 6.15 mA max	Opto isolated input GPO5. 7-Vin = logic « 1 »
6	GND	Input		Negative power (ground)

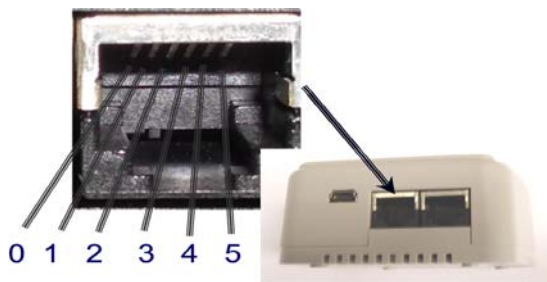
Note. VCC and GND are reverse polarity and overvoltage protected

3.2 Audio Connector

A 6-way 4-pole RJ connector, as shown below, allows a telephone handset to be plugged into the modem, allowing access to the microphone and earpiece signals. The connector may also be used to drive other analogue audio sub-systems or devices.

The audio interface provides one analog input for a microphone and one analog output for an earpiece.

- The microphone input and the earpiece output are single ended.
- For electrets microphones a supply source is implemented.
- The MTX-65+G+B V7 is pre-configured to work with a range of handsets, the audio interface is flexible and its performance can be configured, using AT commands, to match a particular handset or audio subsystem.
- Earpiece outputs are short-circuiting protected.



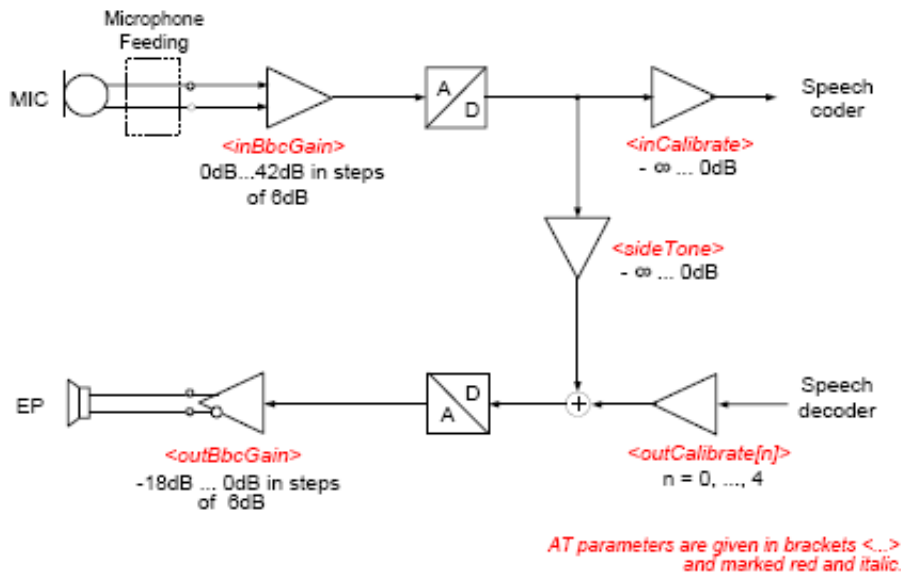
Audio handset connection.

Audio signal descriptions are listed below:

By default audio mode is Single-Ended for microphone: PIN 1 –MICN- is connected to AGND

<i>Pin</i>	<i>Signal</i>	<i>Dir</i>	<i>Description</i>
0	Vout POWER	O	4,5V – 4,8V 100mA
1	MICN	I	Microphone negative input
2	EPN	O	Earpiece negative output
3	EPP	O	Earpiece positive output
4	MICP	I	Microphone positive input
5	AGND	I	NOT CONNECTED (By default, can be joined to GND special ordering code)

PIN 1 is featured to power external devices. Be sure that maximum current not exceed 100mA.



The electrical characteristics of the voiceband part vary with the audio mode. Specifications are listed in following table. To suit several types of audio equipment, three audio modes given by default can be selected by the AT command AT^SNFS.

The audio mode 1 are optimized for the reference handset (type Votronic) connected to the MTX-65+G+B V7 Terminal, and to ensure that the reference parameters are always within the limits demanded by the standards they cannot be changed by AT command. Furthermore, the reference parameters are set as factory default.

In audio mode 4 and 5, the gain in the microphone, earpiece and the side tone path can be adjusted from the cellular device application by using further AT commands.

Please note that the 2nd audio interface of the XTC65 module is not connected in the MTX-65+G+B V7 Terminal. Audio modes 2, 3 and 6 can be selected by setting AT^SAIC=2, 1, 1,

<i>Mode No AT^SNFS=</i>	<i>1 (Default settings, not adjustable)</i>	<i>4</i>	<i>5</i>
Name	Default Handset	User Handset	Plain Codec 1
Purpose	Recommended handset	User handset provided	Direct access to speech coder
Gains programmable via AT command	NO	YES	YES
Side tone	YES	YES	YES
Volume control	NO	YES	YES
Echo control (send)	Cancellation and suppression	Cancellation and suppression	NO
Noise suppression	YES	YES	NO
MIC input signal for 0dBm0 @ 1024 Hz (at default gain settings)	12.5 mV	12.5 mV	400 mV
Earpiece output signal in mV eff. @ 0dBm0, 1024 Hz, no load (at default gain settings); @ 3.14 dBm0	475 mV	475 mV (default @ max volume)	1.5 V 6.0 Vpp
Side tone gain (at default settings)	24.9 dB	24.9 dB	-∞ dB

The electrical characteristics are given in the table below.

<i>Function</i>	<i>Signal name</i>	<i>IO</i>	<i>Parameter</i>	<i>Min.</i>	<i>Typ.</i>	<i>Max.</i>	<i>Unit</i>
Microphone	MICP, MICN	I	DC (no load) at MICP	5.3	5.4	5.6	V
			DC at MICP in POWER DOWN		0V		V
			DC (no load) at MICN		0		V
			DC Resistance differential MICN, MICP (balanced)	4.6	4.7	4.8	KOhm
			Impedance Zi (balanced)	3.9	4.0	4.1	KOhm
			Input level Uimax			0.6	VPP
			Restricted Input level Uires 7			1.6	VPP
			Gain range 6 dB steps	0		42	dB
			Frequency Range	200		3900	Hz
			fine scaling by DSP (inCalibrate)	-∞		0	dB
Earpiece	EPP, EPN	O	Impedance (balanced)	8			Ohm
			AC output level UO Gain = 0dB @ 3.14 dBm0 no load		5.97		VPP
			Gain range	-18		0	dB
			Gain accuracy			0.8	dB
			Frequency area	200		3900	Hz
			DC Offset (balanced)			100	mV
			Attenuation distortion for 200...3900Hz			1	dB
			Out-of-band discrimination		70		dB
LEAudio			Length of Audio (Handset) cable			3	m

Unless otherwise stated, all specified values are valid for gain setting (gs) 0dB and 1kHz test signal.
 gs = 0dB means audio mode = 5, inBbcGain= 0, inCalibrate = 32767, outBbcGain = 0, OutCalibrate = 16384, sideTone = 0.

The electrical characteristics of the voiceband part depend on the current audio mode selected by the AT command AT^SNFS. See Table 9: Audio modes.

The audio modes 4 and 5 can be adjusted by parameters. Each audio mode is assigned a separate parameter set.

Audio Parameters Adjustable by AT Commands

<i>Parameter</i>	<i>Influence to</i>	<i>Range</i>	<i>Gain range</i>	<i>Calculation</i>
inBbcGain	MICP/MICN analog amplifier gain of baseband controller before ADC	0...7	0...42dB	6dB steps
inCalibrate	digital attenuation of input signal after ADC	0...32767	-∞...0dB	$20 * \log(\text{inCalibrate}/32768)$
outBbcGain	EPP/EPN analog output gain of baseband controller after DAC	0...3	0...-18dB	6dB steps
outCalibrate[n] n = 0...4	Digital attenuation of output signal after speech decoder, before summation of sidetone and DAC present for each volume step[n]	0...32767	-∞...+6dB	$20 * \log(2 * \text{outCalibrate}[n]/32768)$
sideTone	Digital attenuation of sidetone is corrected internally by outBbcGain to obtain a constant sidetone independently to output volume	0...32767	-∞...0dB	$20 * \log(\text{sideTone}/32768)$

3.3 Mini USB Connector

The USB 2.0 interface allows the connectivity to all relevant PCs and control boards in office and industrial environments. The USB interface is a USB 2.0 full speed (12Mbit/s) interface for AT-C modem functionality between the MTX-65+G+B V7 Terminal and e.g. a PC.

It can be operated on a USB 2.0 Full Speed or High Speed root hub (a PC host), but not on a generic USB 2.0 High Speed hub which translates High Speed (480 Mbit/s) to Full Speed (12 Mbit/s).



In MTX-65+G+B V7 terminal the USB port has different functions depending on whether or not Java is running. Under Java, the lines may be used for debugging purposes. If Java is not used, the USB interface is available as a command and data interface and for downloading firmware.

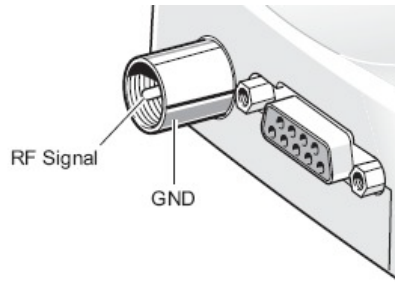
The USB I/O-pins are capable of driving the signal at min 3.0V. They are 5V I/O compliant. To properly connect the module's USB interface to the host a USB 2.0 compatible connector is required. Furthermore, the USB modem driver delivered with MTX-65+G+B V7 must be installed as described below.

The USB host is responsible for supplying, across the VUSB_IN line, power to the internal module's USB interface, but not to other MTX-65+G+B V7 interfaces, so it can not be powered by USB. MTX-65+G+B V7 is designed as compliant with the "Universal Serial Bus Specification Revision 2.0"

There are available drivers for Windows environment applications. Visit MTX-65+G+B V7 web page at: www.matrix.es/MTX-TERMINALS

3.4 GSM Antenna Connector

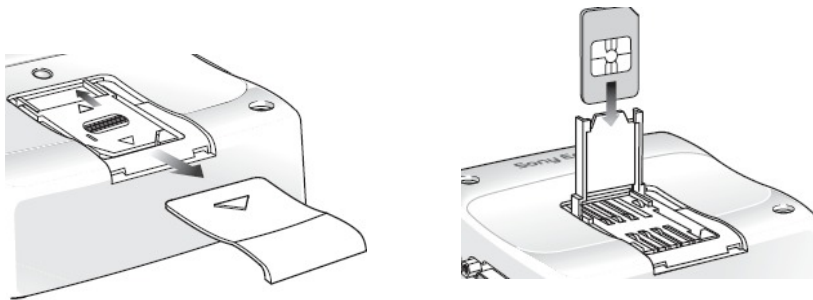
The antenna connector allows transmission of radio frequency (RF) signals between the modem and an external customer-supplied antenna. The modem is fitted with a 50Ω, FME male coaxial jack.



The external antenna must be matched properly to achieve best performance regarding radiated power, DC-power consumption, modulation accuracy and harmonic suppression.

3.5. SIM card reader

The MTX-65+G+B V7 Terminal is fitted with a SIM card reader designed for 1.8V and 3V SIM cards. It is the flip-up type which is lockable in the horizontal position and is accessed through a removable panel as shown below.



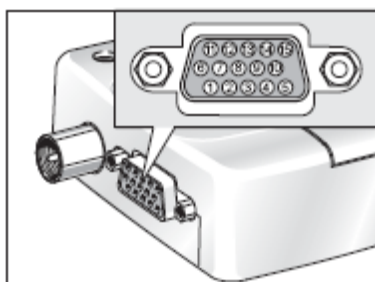
The card holder is a five wire interface according to GSM 11.11. A sixth pin has been added to detect whether or not the SIM card drawer is inserted.

Removing and inserting the SIM card during operation requires the software to be reinitialized. Therefore, after reinserting the SIM card it is necessary to restart the MTX-65+G+B V7 Terminal.

The full operation of the MTX-65+G+B V7 relies on a SIM card being inserted. Some MTX-65+G+B V7 functionality may be lost if you try to operate the control terminal without a SIM card.

3.6 MAIN Serial RS232 Interface Port ASCO

The modem supports a standard RS232 serial interface (EIA/TIA 574) via its 15 pin Sub-D connector, shown below.



Pin	Signal
2	RD 0
3	TD 0
14	GND
7	RTS / SPICS optional
8	CTS / SPDI optional

MTX-65+G+B V7 Terminal is designed for use as a DCE (data circuit-terminating equipment) based on the conventions for DCE-DTE connections it communicates with the customer application (DTE- data terminating equipment) using the following signals:

- Port TxD @ application sends data to TXD of the MTX-65+G+B V7 Terminal
- Port RxD @ application receives data from RXD of the MTX-65+G+B V7 Terminal

The RS-232 interface is implemented as a serial asynchronous transmitter and receiver conforming to ITU-T V.24 Interchange Circuits DCE. It is configured for 8 data bits, no parity and 1 stop bit and can be operated at fixed bit rates from 300bps to 460,800bps.

Autobauding supports bit rates from 1,2bps to 460,800bps. Hardware handshake using the /RTS and /CTS signals and XON/XOFF software flow control are supported.

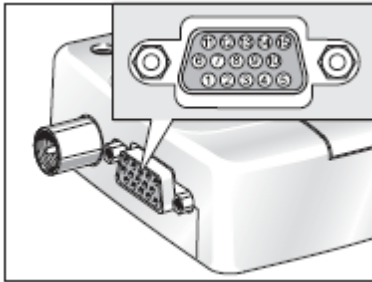
The electrical characteristics of the serial port signals are shown below:

Note: Outputs at 3kOhm load

<i>Pin</i>	<i>Signal</i>	<i>Dir</i>	<i>Voltage levels</i>	<i>Description</i>
2	RD 0	O	Min $\pm 5V$	Received data
3	TD 0	I	VILmax = 0.6V VIHmin = 2.4V VImax = $\pm 25V$	Transmitted data
14	GND	-	0V	Ground connection
7	RTS	I	VILmax = 0.6V VIHmin = 2.4V VImax = $\pm 25V$	Request to send
8	CTS	O	Min $\pm 5V$	Clear to send

- Includes the data lines TXD0 and RXD0, by default the status lines RTS0 and CTS0 are included. Then, SIPCS and SPIDI are not active by default. Please contact gsm-support@matrix.es for more information.
- ASC0 is primarily designed for controlling voice calls, transferring CSD, fax and GPRS data and for controlling the GSM engine with AT commands.
- Full Multiplex capability allows the interface to be partitioned into three virtual channels, but with CSD and fax services only available on the first logical channel.
- By default, it is configured for 8 data bits, no parity and 1 stop bit. The setting can be changed using the AT command AT+ICF and, if required, AT^STPB.
- ASC0 can be operated at fixed bit rates from 300 bps to 460800 bps.
- **By default it is configured in fixed rate 115200 bauds.**
- Autobauding is not compatible with multiplex mode. Autobauding is NOT recommended when using SKD and MES applications. Please use fixed baud rate, as 115200 8N1.
- Supports XON/XOFF software flow control. By default it's supported by RTS0/CTS0 hardware flow control.

The MTX-65+G+B V7 supports a range of configurable I/Os on the 15 pin high density connector together with I2C/SPI bus



Pin	MTX-65+G+B V7 Signal	Dir	Max. Voltage limits	Description
1	I2CCLK SPICLK	O	0.2 - 3.05 V	I2C or SPI bus clock signal
2	RD0	O	Min ±5V	Received data
3	TD0	I	VILmax = 0.6V VIHmin = 2.4V VImax = ±25V	Transmitted data
4	IO_1 (GPIO 9)	I/O	Input: 0.8 - 3.05 V Output: 0.2 - 3.05 V	Digital input/output I/O 9 CMOS
5	OUT_2 (GPIO 8)	O	Output: 0.2 V or High Impedance	Opto-isolated Digital Output 2. If active Output = 0,2 V.
6	I2CDAT- SPIDO	I/O	Input: 0.8 - 3.05V Output: 0.2 - 3.05V	I2C data or SPI bus Data Output
7	RTS0 (op.SPICS)	I	VILmax = 0.6V VIHmin = 2.4V VImax = ±25V	Ready to Send
8	CTS0 (op.SPIDI)	O	Min ±5V	Carrier to Send
9	ADC2	I	Vimin = 0V, VImax = 2.4V Ri ≈ 750kOhms Measurement interval: 100ms – 30s Sensitivity, accuracy: 2400 steps (1step = 1mv) Accuracy: ± 0.5mV	Analog-Digital converter Input 2
10	VOUT	O	Vout = 4.5 – 4.9 Vdc; Imax = 100mA.	Regulated Power Supply 5V
11	IN_2 (GPIO 7)	I	0 - Vin 6.15 mA max	Opto-isolated input 2 Active low.
12	OUT_3 (GPIO 4)	O	Output: 0.2 V or High Impedance	Opto-isolated Digital Output 3. If active Output = 0,2 V.
13	IN_3 (GPIO 10)	I	0 - Vin 6.15 mA max	Opto-isolated input 3 Active low.
14	GND		0V	Ground connection
15	ADC 1	I	Vimin = 0V, VImax = 2.4V Ri ≈ 750kOhms Measurement interval: 100ms – 30s Sensitivity, accuracy: 2400 steps (1step = 1mv) Accuracy: ± 0.5mV	Analog-Digital converter Input 2

3.7 Interfaces

3.7.1. General Purpose Input/Output IO

<i>Pin</i>	<i>MTX-65+G+B V7 Signal</i>	<i>Dir</i>	<i>Inputs/Outputs High-Low levels</i>	<i>Max. limits</i>	<i>Description</i>
Main & Expansion Connector					
4	IO_1 (GPIO 9)	I/O	Input: 0.8 - 3.05 V Output: 0.2 - 3.05 V		Digital input/output I/O 9 CMOS
5	OUT_2 (GPIO 8)	O	Output: 0.2 V or High Impedance		Opto-isolated Digital Output 2. If active Output = 0,2 V.
11	IN_2 (GPIO 7)	I	0 – Vin 6.15 mA max		Opto-isolated input 2 Active low.
12	OUT_3 (GPIO 4)	O	Output: 0.2 V or High Impedance		Opto-isolated Digital Output 3. If active Output = 0,2 V.
13	IN_3 (GPIO 10)	I	0 – Vin 6.15 mA max		Opto-isolated input 3 Active low.
Power Connector					
2	OUT4 (GPIO6)	O	VoL min 0V max 1,5V VoH min - max 30V I max 30Ma	Output: 0 - VSupply	Opto-isolated output GPIO6 Shared with RED LED: 0 OFF= High Impedance, 1 ON =Vin.
5	IN4 (GPIO5)	I	7 – 28 V 6.15 mA max	30 V 10 mA max.	Opto-isolated input GPIO5. 7-28V = logic "1"

IO_1 (Connected to GPIO 9) is CMOS level general purpose input/output programmable by the user for the following features:

- An input or output
- Level-sensitive or transition-sensitive
- Open drain or direct drive
- Polarity (inversion)
- Internal pull-up resistors

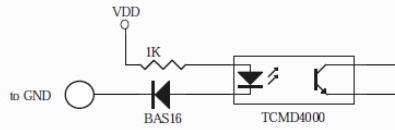
IMPORTANT!

MTX-65+G+B V7 have internal optocoupler components, so be careful to program the following GPIOs as follows:

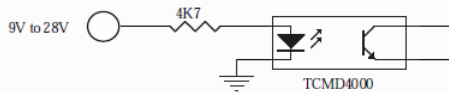
GPIO 3, GPIO 6 and GPIO 8 **MUST** be configured as **OUTPUT**
GPIO 5, GPIO 7 and GPIO 10 **MUST** be configured as **INPUT**

Electrical equivalent circuits inputs/outputs.

TURN_ON, TURN_OFF, IN2 (Gpio7), IN3 (Gpio10 - pulse counter-)

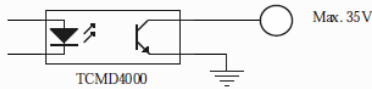


IN4 (Gpio5)

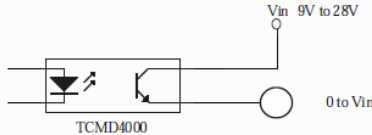


ABSOLUTE MAXIMUM RATINGS (1)				
PARAMETER	TEST CONDITION	SYMBOL	VALUE	UNIT
INPUT				
Reverse voltage		V_R	6	V
Forward current		I_F	80	mA
Forward surge current	$t_p \leq 10 \mu s$	I_{FSM}	1.5	A
Power dissipation		P_{diss}	100	mW
Junction temperature		T_J	125	$^{\circ}C$
OUTPUT				
Collector emitter voltage		V_{CE0}	35	V
Emitter collector voltage		V_{ECO}	7	V
Collector current		I_C	80	mA
Collector peak current	$t_p/T = 0.5, t_p \leq 10 ms$	I_{CM}	100	mA
Power dissipation		P_{diss}	150	mW
Junction temperature		T_J	125	$^{\circ}C$

OUT2 (Gpio8), OUT3 (Gpio4)

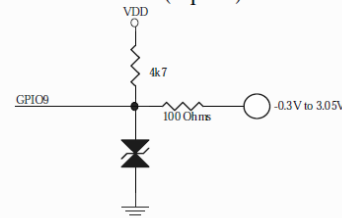


OUT4 (Gpio6)



INPUT/OUTPUT

IO1 (Gpio9)



ELECTRICAL CHARACTERISTICS						
PARAMETER	TEST CONDITION	SYMBOL	MIN.	TYP.	MAX.	UNIT
INPUT						
Forward voltage	$I_F = 50 mA$	V_F		1.25	1.6	V
Junction capacitance	$V_R = 0 V, f = 1 MHz$	C_j		50		pF
OUTPUT						
Collector emitter voltage	$I_C = 100 \mu A$	V_{CE0}	35			V
Emitter collector voltage	$I_C = 100 \mu A$	V_{ECO}	7			V
Collector dark current	$V_{CE} = 10 V, I_F = 0, E = 0$	I_{CEO}			100	nA
COUPLER						
Collector emitter saturation voltage	$I_F = 20 mA, I_C = 5 mA$	V_{CEsat}			1	V
Cut-off frequency	$I_F = 10 mA, V_{CE} = 5 V, R_L = 100 \Omega$	f_c		10		kHz
Coupling capacitance	$f = 1 MHz$	C_c		0.3		pF

Note. Look at TCMD4000 opto-isolator component for more information. You can get a datasheet at <ftp.matrix.es/MTX-Terminals>

3.7.2. I2C Serial Control Bus

I2C is a serial, 8-bit oriented data transfer bus for bit rates up to 400kbps in Fast mode. It consists of two lines, the serial data line I2CDAT and the serial clock line I2CCLK.

The MTX-65+G+B V7 module acts as a single master device, e.g. the clock I2CCLK is driven by module. I2CDAT is a bi-directional line.

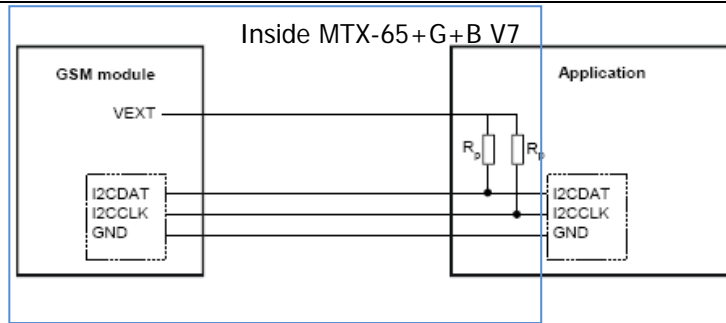
Each device connected to the bus is software addressable by a unique 7-bit address, and simple master/slave relationships exist at all times. The module operates as master-transmitter or as master-receiver. The customer application transmits or receives data only on request of the module.

<i>Pin</i>	<i>MTX-65+G+B V7 Signal</i>	<i>Dir</i>	<i>Max. Voltage limits</i>	<i>Description</i>
1	I2CCLK	O	0.2 - 3.05 V	I2C bus clock signal
6	I2CDAT	I/O	Input: 0.8 - 3.05V Output: 0.2 - 3.05V	I2C data bus
14	GND		0V	Ground connection

To configure and activate the I2C bus use the AT^SSPI command. If the I2C bus is active the two lines I2CCLK and I2DAT are locked for use as SPI lines. Vice versa, the activation of the SPI locks both lines for I2C.

The I2C interface is powered from an internal VEXT supply line so the I2C interface will be properly shut down when the module enters the Power-down mode.

Function	Signal name	IO	Signal form and level	Comment
I2C interface	I2CCLK	O	RO ≈ 33Ω VOLmax = 0.25V at I = 2mA VOHmin = 2.50V at I = -0.5mA VOHmax = 3.05V	I2CDAT is configured as pen Drain and needs a pull-up resistor in the host application. According to the I2C Bus Specification Version 2.1 for the fast mode a rise time of max. 300ns is permitted. There is also a maximum VOL=0.4V at 3mA specified. The value of the pull-up depends on the capacitive load of the whole system (I2C Slave + lines). The maximum sink current of I2CDAT and I2CCLK is 4mA. If lines are unused keep pins open.
	I2CDAT	I/O	RO ≈ 33Ω VOLmax = 0.25V at I = 2mA VILmax = 0.8V VIHmin = 2.0V VIHmax = 3.05V	



Internal accelerometer is connected to I2C

3.7.3. SPI Bus

The MTX-65+G+B V7 Terminal has **NOT** enabled SPI bus. By default SPICS and SPIDI signals are not enabled because those pins are shared with CTS and RTS. Also as accelerometer and EEPROM* (*optional) is connected to I2C we do not recommend the activation of SPI bus.

As I2C interface is used, SPI interface is not available/recommended for use.

Signal name	Pin	Description
SPICS	7	NOT ENABLED. By default is RTS. Can be changed to: SPICS: Chip select – selects and activates the external device via a low signal.
SPIDI	8	NOT ENABLED. By default is CTS. Can be changed to: SPIDI: Data in – serial data input line (from the external device to the MTX-65+G+B V7Terminal)
I2CDAT_SPIDO	6	Data out – serial data output line (from the MTX-65+G+B V7 Terminal to the external device)
I2CCLK_SPICLK	1	Serial clock line

3.7.4. Analog-to-Digital Converter (ADC)

The ADC of the MTX-65+G+B V7 consists of 2 independent, unbalanced, multiplexed analog inputs that can be used for measuring external DC voltages in the range of 0mV...+2400mV. The ADC has a resolution of 12 bits.

Use the command AT^SRADC described in [1] to select the analog inputs ADC1_IN or ADC2_IN, to set the measurement mode and to read out the measurement results. The measured values are indicated in mV.

There is no out of range detection. Voltages beyond these limits cannot be measured:

- Underflow: Values $\leq -25\text{mV}$
- Overflow: Values $> 2425\text{mV}$

The sample period is adjustable from 30s up to 100ms by AT^SRADC. Only during sample time ($t_s \sim 400\mu\text{s}$) the S&H Switch is closed.

3.7.5 Real Time Clock

The MTX-65+G+B V7 contains a real time clock (RTC) to maintain accurate timekeeping and to enable "time stamping" of messages.

The RTC, which is connected to a power supply/battery, will be maintained in case power supply is applied or battery is enough level.

The internal Real Time Clock of MTX-65+G+B V7 is supplied from a separate voltage regulator in the analog controller which is also active when MTX-65+G+B V7 has a POWER DOWN status. An alarm function is provided that allows the MTX-65+G+B V7 to wake up to Airplane mode without logging on to the GSM network.

The MTX-65+G+B V7 can also accommodate an independent battery or super-cap inside, and the MTX-65+G+B V7 can be ordered with this special option by request. Please contact gsm-support@matrix.es for more details.

As MTX-65+G+B V7 has an internal Ion-Li battery, by ensuring that this battery has enough power and is charged, RTC will be always maintained.

3.8. GPS antenna connector

The antenna connector allows transmission of radio frequency (RF) signals between the modem and an external customer-supplied antenna. The modem is fitted with a 50Ω, SMA female coaxial jack.

It is possible to connect active or passive GPS antennas. In either case they must have 50 Ohm impedance.



3.9. GPS Application Interface

The TC651 module is connected to a GPS receiver which offers the full performance of GPS technology. The GPS receiver continuously tracks all satellites in view, thus providing accurate satellite position data.

3.9.1 Operating Principles

This section contains a brief overview of basic GPS operating principles.

3.9.1.1 Basic Operation Cycle

When the receiver is powered up, it steps through a sequence of states until it can initially determine position, velocity and time. Afterwards, the satellite signals are tracked continuously and the position is calculated periodically.

In order to perform a navigation solution (3D solution), the receiver needs distances (pseudo ranges) for at least 4 SVs (Space Vehicles or satellites) and ephemeris data for the SVs which it will use in the navigation solution.

The initial position calculation is made using a least-squares algorithm. Successive position calculations are performed with a Kalman filter. To generate a position calculation (3D solution) the receiver needs at least 4 measurements from different satellites; to calculate a position (Lat/Long/Height) for a 2D solution with an estimated altitude, 3 different satellites are required.

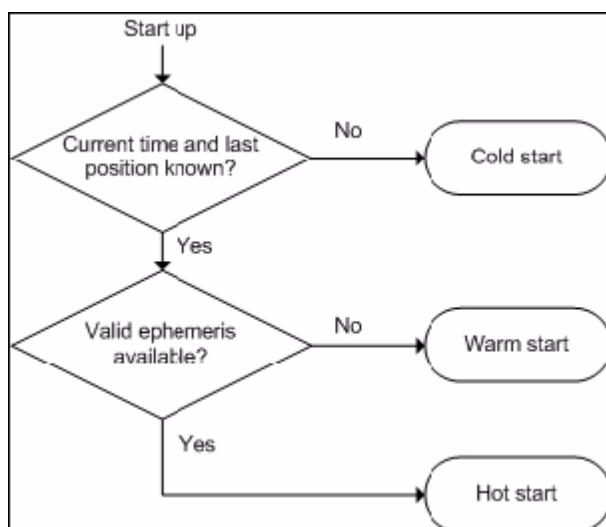
Pseudo range and carrier phase information is available to the position determination algorithms once the receiver has found a SV (acquisition) and can track the signal thereafter.

Ephemeris data for a SV can be decoded from orbit data once the GPS signal has been acquired. Each SV transmits its own ephemeris data, the broadcast lasts for 18 seconds, repeating every 30 seconds.

The receiver stores ephemeris data in battery-backup memory (supplied by VDDL P). This data is valid for 2 hours and can be used in future startups to improve the time to first fix (TTFF). Ephemeris can also be supplied to the receiver.

3.9.1.2 GPS Start-Up

Depending on the receiver's knowledge of the last position, current time and ephemeris data, the receiver will apply different strategies to start-up, namely:



The startup time (i.e., TTFF = Time-To-First-Fix) may vary and depends on the start-up-mode:

- Cold start: 38 seconds
- Warm start: 35 seconds
- Hot start: less than 2 seconds

3.9.1.2.1 Cold Start

Cold Start without Aid

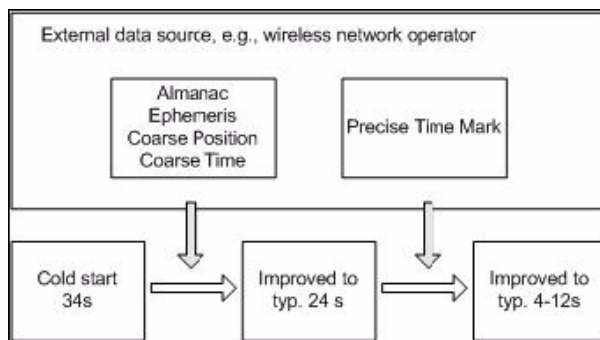
With a cold start, the GPS receiver has no knowledge of its last position or time. This may be the case if:

- The RTC of the GPS receiver has not been running and the battery backup memory is lost (i.e., VDDL and BATT+ have been off),
- No valid ephemeris data or almanac data is available, i.e., the receiver has never been navigating or was shut down while moving to a different area (>300km).

Aided Cold Start / AGPS

To reduce the cold start startup time Assisted GPS (AGPS) may be used as an aid.

If position-, time-, ephemeris- and/or almanac data feeds from the current location are available - e.g., provided by the GSM network operator - this data should be polled by the GSM part and forwarded to the GPS part during cold start. Depending on the information provided the GPS receiver will perform the best possible startup scenario.



3.9.1.2.2 Warm Start

A warm start is performed whenever the GPS receiver has access to valid almanac data only, and has not significantly moved since the last valid position calculation. This is typically the case if the receiver has been shut off for more than 2 hours but still has knowledge of its last position, time and almanac.

This allows the receiver to predict the current visible SVs (Space Vehicle or satellite). However, since the ephemeris data is not available or outdated, the receiver has to wait for the ephemeris broadcast to be completed.

3.9.1.2.3 Hot Start

A hot start is performed whenever the GPS receiver has still access to valid ephemeris data and the precise time.

This is typically the case if the receiver has been shut off for less than 2 hours and the RTC has been running during that time. Furthermore, during the previous session, the GPS receiver must have been navigating, i.e., decoding and storing ephemeris data).

With a hot start, the GPS receiver can predict the currently visible SVs, and is therefore able to quickly acquire and track the signal. Because ephemeris is already known, there is no need to wait for the ephemeris broadcast to be completed.

3.9.1.4 Supported Protocols

The GPS receiver supports NMEA protocol. It is able to recognize input messages from any of these protocols (e.g., GGA, RMC GSA, GSV) and respond to them accordingly. Input messages can be arbitrarily mixed.

Initially the NMEA protocol is enabled for outputs.

3.9.1.4.1 NMEA Protocol

The NMEA protocol is an industry standard protocol developed for marine electronics. It was originally designed to allow data exchange between various sensors and navigation equipment aboard ships. Nowadays, it is a de-facto standard for GPS receiver data output. For more information on the NMEA Standard please refer to <http://www.nmea.org>.

3.9.1.4.2. Proprietary NMEA Protocol

Trimble offer special proprietary NMEA protocol for special features like:
AGPS.

GPS antenna status: (connected/unconnected)

See <ftp.matrix.es/MTX-Terminals/MTX-65+G+B V7> for NMEA information on C1216 GPS receiver module

3.9.1.4.3 RTCM Protocol

The RTCM (Radio Technical Commission for Maritime Services) protocol is a unidirectional protocol (input to the receiver) supplying the GPS receiver with real-time differential correction data (DGPS). The RTCM protocol specification is available from <http://www.rtcn.org>. The GPS receiver supports the RTCM version 2.2 Correction Type Messages 1, 2, 3 and 9

3.9.1.5 Position Accuracy Improvement Possibilities

The accuracy of position fixes is influenced by a number of issues such as sky view, reasonable satellite geometry and so on. The standard position accuracy is 2.5 m CEP and 5.0 m SEP.

As explained below, the GPS receiver provides two possibilities to improve the accuracy of position fixes. With DGPS/SBAS the accuracy improves to 2.0 m CEP and 3.0 m SEP.

3.9.1.5.1 Differential GPS (DGPS)

The correction data from a terrestrial reference station may be transmitted to the GPS receiver via RTCM protocol:

- Via GSM network provider (internet server) or
- Via broadcast service (LW, SW, FM).

Additional hardware is required to receive this data.

DGPS lost significance when the Selective Availability (SA) of the GPS satellite system was discontinued in May 2000. These days, the applications of DGPS are typically limited to surveying, and DGPS is replaced by SBAS wherever possible.

3.9.1.5.2 Satellite Based Augmentation Systems (SBAS)

SBAS (Satellite Based Augmentation System) augments GPS. It is a technology that calculates GPS integrity and correction data with RIMS (Ranging and Integrity Monitoring Stations) on the ground and uses geostationary satellites (GEOs) to broadcast GPS integrity and correction data to GPS users. The correction data is transmitted on the GPS L1 frequency (1575.42 MHz). Therefore, no additional receiver is required to make use of the correction and integrity data.

There are several compatible SBAS systems available or in development all around the world:

- WAAS (Wide Area Augmentation System) for Northern America is in operation since 2003.
- EGNOS (European Geostationary Navigation Overlay Service) is in test mode ESTB (EGNOS satellite test bed). Full operation of EGNOS is already active.
- MSAS (Multi-Functional Satellite Augmentation System) for Asia is in development stage. This system is not yet available, not even in test mode.

Other systems are planned for Canada (CSAS), India (GAGAN), Africa (EGNOS) and South America. SBAS is primarily used to meet the requirements of onboard aircraft navigation.

The GPS receiver is capable to receive multiple SBAS satellites in parallel, even from different SBAS systems (WAAS, EGNOS, etc.). The satellites can be tracked and used for navigation simultaneously. Up to three SBAS satellites can be searched in parallel and every SBAS satellite tracked utilizes one vacant GPS receiver channel.

3.9.2 GPS-GSM Interface

The GPS receiver is an integral part of the module and as such controlled over an internal GPS-GSM interface.

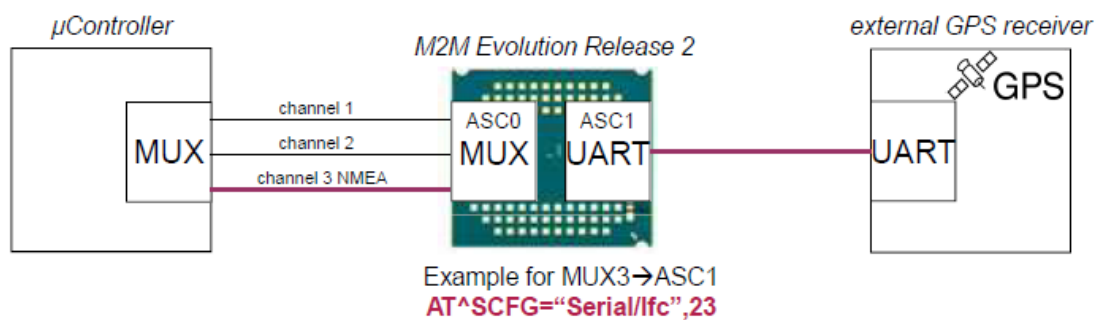
It communicates over the interface at a fixed bit rate of 115200bps and with the character framing set to 8N1 (8 data bits, no parity, 1 stop bit). These settings should not be altered, even though this option is usually available by means of the NMEA command accessing the GPS receiver. GPS receiver baudrate is 9600 bauds. Be sure to change ASC1 baud rate to 9600 bauds in your Java code.

3.9.3 Software Control

The GPS receiver can be software controlled using two different operating modes:

- Tunneling mode (Not recommended). AT command

AT^SCFG="Serial/Ifc",<ifcMode>



- **Java mode.**

1. Location Java API: Native support reduces integration efforts & costs, saves Java-Heap Java API with methods for complex distance calculation (WGS84 ellipsoid) and Landmark storage for tracing.

com.cinterion.location

Classes

- AddressInfo
- Coordinates
- Landmark
- LandmarkStore
- QualifiedCoordinates

Method Summary	
float	azimuthTo(Coordinates tc) Calculates the azimuth between the two points according to the ellipsoid model of WGS84.
float	distance(Coordinates tc) Calculates the geodetic distance between the two points according to the ellipsoid model of WGS84.

2. NMEA Transparent mode.

GPS receiver is connected to TC65i ASC1 port and NMEA data at 9600 bauds is present. JAVA code needs to open ACS1 port and collect all the protocols and parse to calculate latitude, longitude positions.

To help all customers, MTX-Terminals provides an "as is" (without further technical support, warranties...) PARSER source code to improve the time to market in JAVA developing code. See <ftp.matrix.es/MTX-Terminals/MTX-65+G+B V7>

3.9.4 Power Saving

Power saving can be enabled on the GSM part (set with AT+CFUN). It is possible to use a special NMEA command on the GPS receiver. For more information on the AT commands AT+CFUN see the AT command manual.

For more information about NMEA internal C1216 Trimble module see the Condor user manual.

3.9.5 GPS Antenna

It is possible to connect active or passive GPS antennas. In either case they must have 50 Ohm impedance. The simultaneous operation of GSM and GPS has been implemented.

A slight degradation of sensitivity may occur for the GPS receiver, if the GSM transmitter operates during GPS reception. The degradation depends on GSM-GPS antenna coupling, the current GSM transmit power and the GSM transmitter duty cycle (The GPS receiver remains fully functional as long as the defined limits are not exceeded)

If the GSM and GPS antennas are located close to each other and the GSM Tx output power is maximal, the sensitivity degradation is caused mainly by the broadband noise of the GSM transmitter (at the GPS reception frequency).

GSM Tx duty cycle ¹	GPS Rx degradation
12.5%	Max. -0.6dB
25%	Max. -1.3dB
37.5%	Max. -2.0dB
50%	Max. -3.0dB

1. The listed duty cycles correspond to the following transfer modes: 12.5% = GSM call, 25% = GPRS Class 10, 37.5% = GPRS Class 11, 50% = GPRS Class 12

Note: The GPS antenna must be isolated for ESD protection (to withstand a voltage resistance up to 8kV air discharge).

For details on power supply for active GPS antennas see Section 7.6.

Active versus Passive Antennas

- Passive antennas contain only the radiating element, e.g. the ceramic patch or the quadrifilar dipole structure.

Sometimes they also contain a passive matching network to match the electrical connection to 50 Ohms impedance.

Note: A passive antenna inner conductor must not have a DC connection to ground.

- Active antennas have an integrated low-noise amplifier (LNA) and usually an additional GPS band pass filter.

This is beneficial in two respects: First, the losses of the cable do no longer influence the overall noise figure of the GPS receiver system. Secondly, the acquisition and tracking sensitivity is up to 2dB higher.

Active antennas need a power supply that will contribute to GPS system power consumption, typically 5 to 20mA. The supply voltage is fed to the antenna through the coaxial RF cable.

Inside the antenna, the DC current on the inner conductor will be separated from the RF signal and routed to the supply pin of the LNA.

The use of an active antenna is always advisable if the RF-cable length between receiver and antenna exceeds about 10cm.

Active Antenna	Passive Antenna
Active antenna connected to the GPS module.	Passive patch antennas or quadrifilar dipole antennas connected with a micro-coax to the GPS module.
A wide range of active patch or quadrifilar dipole antennas is available in the market. They differ in size, gain, selectivity and power consumption. They are less sensitive to jamming than a passive antenna, if the placement of the active antenna is some distance away of other noise or signal radiating devices. They need DC current. They are easier to handle. You have more freedom to place the antenna. Some low noise amplifier (LNA) circuits in an active antenna may be sensitive to GSM Tx interference; GPS reception can therefore be distorted or the LNA may be damaged.	Passive patch antennas or helical antennas are available in different form factors and sensitivity. Antenna must be connected with a low insertion loss line to the GPS module to ensure a good GPS sensitivity. The PCB design with a passive antenna must consider the sensitivity of the GPS antenna to other radiating circuits or general signal jamming. Due to the proximity of the GPS antenna to other electronic circuits, in-band jamming may become a critical issue. It requires more experience in RF design and requires more effort to optimize the circuit design to minimize jamming into the antenna and the antenna signal routing.

Some cars for instance have a metallic coating on the windshield. GPS reception may be degraded in such a car. There is usually a small section, typically behind the rear view mirror without the coating for mobile phone and GPS antennas. The antenna has to be placed with optimal sky visibility. An external antenna (e.g. with a magnetic base) is easier to use and usually allows a better positioning.

For more information on GPS antenna design see Application Note 37: GPS Antenna Design.

Note: If you are not an expert in RF designs, it is recommended to implement an active antenna setup and place the antenna away from any emitting circuits.

3.10. Software Updates

It is possible and sometimes necessary to update the MTX-65+G+B V7 software.

Updates must be carried out by an approved technician.

Please contact your supplier for details Service/Programming

4. OPERATION

4.1 Switching On the Modem. New "Automatic Restart after shutdown" feature.

There is no special way to power-on the modem. Just apply power in VCC (pin 1) and GND (Pin 6). The modem is fully operational after 4 seconds. Logging onto a network may take longer than this and is outside the control of the modem.

The automatic restart after shutdown feature is enabled and shipped by factory default.

That means if there is a shutdown circumstance or some event that means the modem is going to switch off, as you lose power supply... the modem will restart itself within a few seconds.

This feature can be disabled and the modem can be switched on with the TURN_ON pin and switched off with TURN_OFF pin or AT^SMSO command. ALWAYS WITH POWER APPLIED (PIN 1 & PIN 6)

To disable the "Automatic restart after shutdown" feature use with following procedure:

To disable:

Configuration

AT^SPIO=1

AT^SCPIN=1,1,1; (GPIO 2 as output, -CLOCK-)

AT^SCPIN=1,2,1; (GPIO 3 as output, Set-Reset Automatic Restart)

AT^SSIO=2,0

AT^SSIO=1,0

AT^SSIO=1,1

Then for next power-up cycle you need to put TURN_ON (pin 4) to GND (pin 6) to allow a correct power-up procedure in the internal module ignition.

To enable again, please use following procedure:

AT^SSIO=2,1

AT^SSIO=1,0

AT^SSIO=1,1

4.2 Switching Off the Modem

First, Disable "Automatic restart after shutdown" as explained in the 4.1 procedure.

There are 2 ways to switch off (power down) the modem as described below:

The AT^SMSO command lets the MTX-65+G+B V7 terminal log off from the network and allows the software to enter into a secure state and save data before disconnecting the power supply. The mode is referred to Power-down mode. In this mode only the RTC stays active.

Before disconnecting the power supply from the POWER pin make sure the MTX-65+G+B V7 Terminal is in a safe condition. A safe condition is waiting 1s after the "^SHUTDOWN" result code has been indicated.

Keep setting TURN_OFF pin (pin 3 RJ12 Power connector) to GND at least >1 second. A delay of up to 10s is experienced as the modem logs off the network.

- **Internal hardware watchdog**

A hardware watchdog can be used to restart the module inside.

By default, watchdog is not active. This watchdog is handled by two GPIOs.

MTX-65+G+B V7 has a new internal hardware watchdog component which allows you to reset the module when it is not refreshed within 120 seconds.

By default, MTX-65+G+B V7 are configured/shipped by factory default with watchdog disabled.

Two GPIO must be handled:

-GPIO1 (must be configured as output) set/resets watchdog

-GPIO2 (must be configured as output) must change the cycle in less than 120 seconds.

To enable this feature, use follow AT commands procedure:

Configuration procedure

```
AT^SPIO=1
```

```
AT^SCPIN=1,0,1; (GPIO 1 as output, Set-Reset Watchdog)
```

```
AT^SCPIN=1,1,1; (GPIO 2 as output, CLOCK -to be refreshed-)
```

To enable:

```
AT^SSIO=0,0 -activate-
```

```
AT^SSIO=1,0 -clock cycle-
```

```
AT^SSIO=1,1 -clock cycle-
```

To disable again, please use following procedure:

```
AT^SSIO=0,1 -disable-
```

```
AT^SSIO=1,0 -clock cycle-
```

```
AT^SSIO=1,1 -clock cycle-
```

The configuration is stored into the terminal if the power is still on. When terminal resets due to watchdog operating, it's not necessary to repeat the procedure.

Remember to make refresh of watchdog with clock cycles (GPIO2) is less than 120 seconds as following example:

```
AT^SSIO=1,0 -clock cycle-
```

```
AT^SSIO=1,1 -clock cycle-
```

You can configure both, the "Automatic Restart" and the "Watchdog" in your Java routine source code using the initialization code.

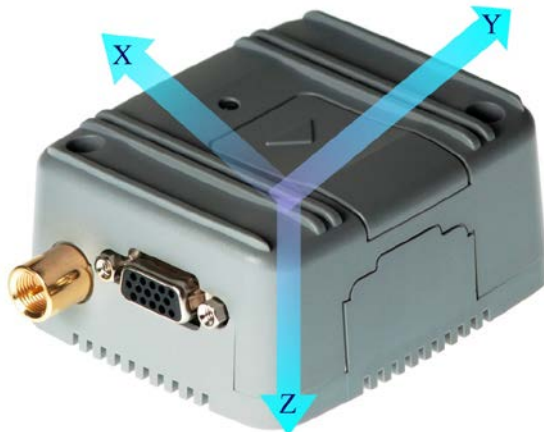
• ACCELEROMETER

An internal accelerometer is connected to internal I2C bus.

Main use of this accelerometer is in low power application scenarios when internal battery is attached and needs long duration, or when external power needs power saving mode. User can program an internal acceleration trigger which allows that in below values module remains in power-down mode, this is, when terminal it's not moving.

If acceleration trigger is reached, the accelerometer makes TC65i wake up to IDLE mode. Then, JAVA application can be launch and send telemetries. Acceleration trigger value is saved in non-volatile accelerometer memory registers. After these tasks, user can switch off again terminal and get into power-down mode.

You can use of course this component to get the 3 axis acceleration value.



MTX-65+G+BV7 configuration example.

Terminal will exit from low-power mode and will be in IDLE mode when moving or acceleration trigger has been reach.

Activate I2C:

```
AT^SSPI=0010,0000,0000,0000,0000
```

Send configurarion I2C accelerometer values:

```
<a1220C3> activate low power mode 10Hz. X , Y Axis ON
<a12300A> activate H value of interruption on X, Y axis
<a12320A> send trigger acceleration trigger value for interruption output and wake up terminal
<a1231><a130001> read interruption registers for cleaning
# out I2C mode
```

Disable autopowerOn feature:

```
AT^SPIO=1
AT^SCPIN=1,1,1
AT^SCPIN=1,2,1
AT^SSIO=2,0
AT^SSIO=1,0
AT^SSIO=1,1
```

Switch off

```
AT^SMSO
```

CHECK: MTX must be powered off. Move MTX terminal faster. Will switch on (check green LED light will be ON)

• INTERNAL ION-LI BATTERY

Inside MTX-65+G +B V7 a Ion-Li battery is attached. Battery capacity is 1650mA/h, 3.7V. Charge is handled by specific chip.

It is possible to know battery level, use AT command AT^SBV. Result is in milivolts. When charging the previous value is increased in + 200mV
It is possible also to know if charger is plugged testing DTR signal.

We do not guarantee full working features under 3.6V. We recommend when reach this level to switch off completely the terminal, please follow this procedure:

- Disable Automatic restart after shutdown. Please remember that this feature is active by default and terminal will try to switch on again automatically.
- Close all threads
- Close all sockets or internet services
- Call garbage collector
- Switch off terminal with AT^SMSO command.

Vout MTX65+G+B V7(Pin 10 DB15): When battery is attached, Vout at pin 10 in main DB15 connector value is around 3.86V when charger is plugged. If not, Vout is around 3.46V.
MTX65+G –V6 Vout is around 5V. All values without any charge plugged.

When battery is attached, if you do not disable Automatic Restart Featured, terminal will be always powered on and cannot switched off. If you need to stop Java application when Automatic Restart is enabled (please remember it's enabled by default) you should press the switch button located near SIM holder as follow picture shows.



BATTERY CHARGING AND DISCHARGING TIMING

Inside MTX-65+G V5 +B a Ion-Li battery is attached. Battery capacity is 1600mA/h, 3.7V. Charge is handled by specific chip.

You can know battery level AT command AT^SBV
Result is in milivolts.

When charging the previous value is increased in + 200mV
It is possible also to know if charger is plugged testing DTR signal.

Do not guarantee working values under 3.65V. We recommend when reach this level to switch off completely the terminal:

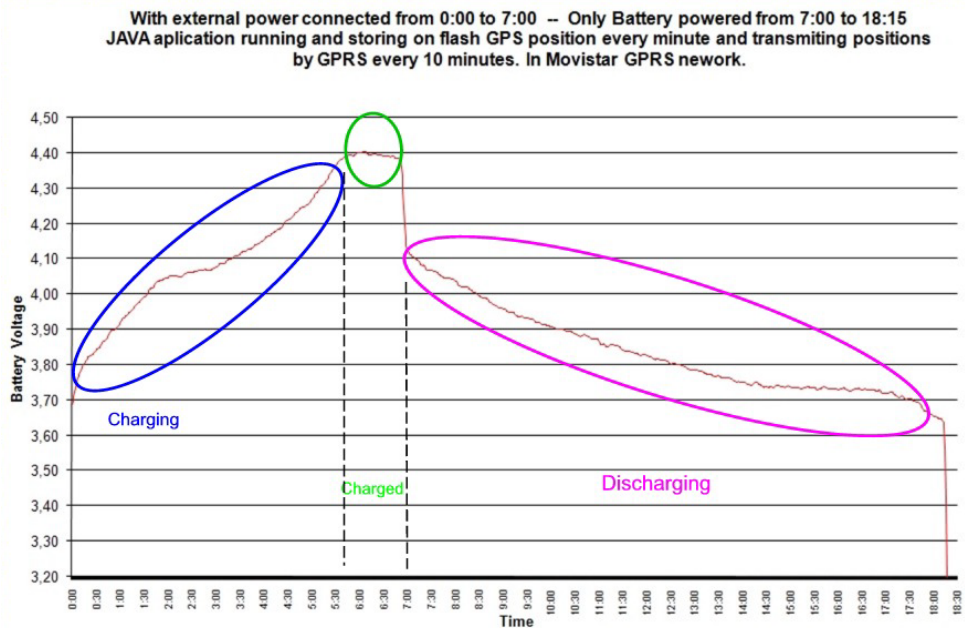
- Disable Automatic restart in shutdown. Please remember that this feature is active by default and terminal will try to switch on again automatically. See manual .
- Close all threads
- Close all sockets or internet services
- Call garbage collector
- Switch off terminal with AT^SMSO command.

We ship MTX-65+G+B V7 with battery unconnected. Please plug power supply to RJ power connector around 4h – 5h to full charge battery.

Duration on discharge status depends on end application. It's very sensitive to transmission (Voice, Data –CSD or GPRS-) so we recommend keeping connection as short as possible and making them as few as possible. Please disable or keep GPS in low power modes when possible if needs battery keep long discharge cycle timing.

Keep in mind that battery will be 100% operating when a few complete discharge and charge cycles are performed.

Example 1. 1600mA/h battery attached. 25°C ambient temperature



Blue colour circle shows when charger is plugged and battery is charging. When reach 4.40 V (check with AT^SBV command) battery is fully charged (green colour). In example above charging time is 6h 30m. If charger is disconnected, battery is discharging. Duration of battery is very depending on application, on example above is 11h 30 min aprox. Please note about minimum battery level module switches off automatically, around 3.65V of battery voltage (please remember check AT^SBV command).

EXAMPLE 2. 1600mA/h battery attached. 25°C ambient temperature

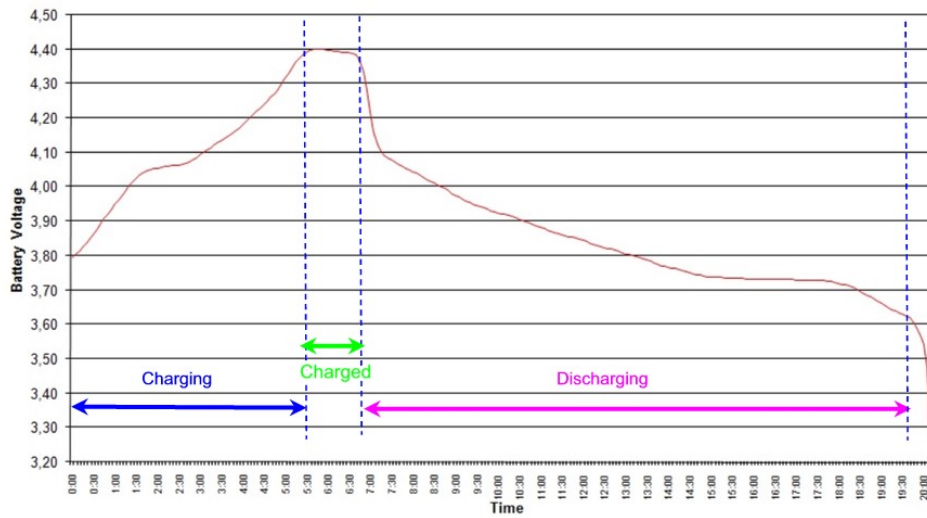
Example 2 has same charging time (blue arrow) 6h 30m; at this time battery is fully charged, check AT^SBV is around 4.40 V (green arrow).

Discharging time in this conditions is around 12h, so if you connect more often to GPRS, battery duration will be short. Keep GPRS connections short and less often if your application is long time duration without charging process.

NOTE. Internally MTX-65+G+B-V7 there are two small leds can use to check battery changing process:

- Red one will light when battery is charging.
- Green one will light when external power is applied

With external power connected from 0:00 to 7:00 -- Only Battery powered from 7:00 to 20:00
 JAVA application running and storing on flash GPS position every 5 min. and transmitting positions by GPRS every 30 minutes. In Movistar GPRS network.



4.3 Operating States/LED

The modem has two LEDs, a green and a red LED, which displays the operating status of the Terminal. The green LED can be operated in two different display modes: AT^SSYNC=1 or AT^SSYNC=2 (factory default).

mode	LED Status
AT^SSYNC=0	<p>SYNC mode: Enables the SYNC pin to indicate growing power consumption during a transmit burst. You can make use of the signal generated by the SYNC pin, if power consumption is your concern. To do so, ensure that your application is capable of processing the signal. Your platform design must be such that the incoming signal causes other components to draw less current. In short, this allows your application to accommodate current drain and thus, supply sufficient current to the GSM engine if required. Note: <mode>=0 is the factory default of the TC65 module.</p>
AT^SSYNC=1	<p>LED mode: Enables the SYNC pin to drive a status LED installed in your application according to the specifications provided in [2]. The coding of the LED is described in Section 19.6.1, ME status indicated by status LED patterns.</p>
AT^SSYNC=2	<p>LED mode: Like <mode>=1, but, additionally, enables different LED signalization in SLEEP mode depending on the status of PIN authentication and network registration. Please see AT+CFUN for details on SLEEP mode. Note: <mode>=2 is the factory default of the MTX-65+G+B V7 Terminal.</p>

In following table is showed the different operating status and changing this mode

LED behavior	ME operating status if AT [^] SSYNC=1	ME operating status if AT [^] SSYNC=2
Permanently off	ME is in one of the following modes: POWER DOWN mode AIRPLANE mode CHARGE ONLY mode NON-CYCLIC SLEEP mode CYCLIC SLEEP mode with no temporary wake-up event in progress (1)	ME is in one of the following modes: -POWER DOWN mode AIRPLANE mode CHARGE ONLY mode
600 ms on / 600ms off	Limited Network Service: No SIM card inserted or no PIN entered, or network search in progress, or ongoing user authentication, or network login in progress	Same as for AT [^] SSYNC=1
75 ms on / 3 s off	IDLE mode: The mobile is registered to the GSM network (monitoring control channels and user interactions). No call is in progress.	Same as for AT [^] SSYNC=1
75 ms on / 75 ms off / 75 ms on / 3 s off	One or more GPRS PDP contexts activated.	Same as for AT [^] SSYNC=1
500 ms on / 50 ms off	Packet switched data transfer is in progress	Same as for AT [^] SSYNC=1
Permanently on	Depending on type of call: Voice call: Connected to remote party. Data call: Connected to remote party or exchange of parameters while setting up or disconnecting a call.	Same as for AT [^] SSYNC=1
<n> ms on / <n> ms off (2)	Not possible: With AT [^] SSYNC=1, LED signalization is disabled in SLEEP mode.	SLEEP mode is activated (AT+CFUN parameter <fun>≠ 1), but the ME is not registered to the GSM network (e.g. SIM not inserted or PIN not entered, and therefore, either no network service or only Limited Network Service is available).

1) When a temporary wake-up event (for example a call, a URC, a packet switched transfer) occurs in CYCLIC SLEEP mode the LED flashes according to the patterns listed above. See Section 2.9.1, Wake up the ME from SLEEP mode for details on the various SLEEP modes and wake-up events.

2) The duration of <n> and <m> depends on the network: In SLEEP mode, the module can only change its LED status during intermittent wake-up periods when listening to paging information from the base station. Therefore the values of <n> and <m> vary as follows:

<n> = value from 471 ms to 2118 ms
<m> = 3000 ms

The RED color LED is connected directly to GPIO6.

This is featured for any signaling purpose you need, like visual indication for end customer and installation process. You have to configure GPIO6 as an output.

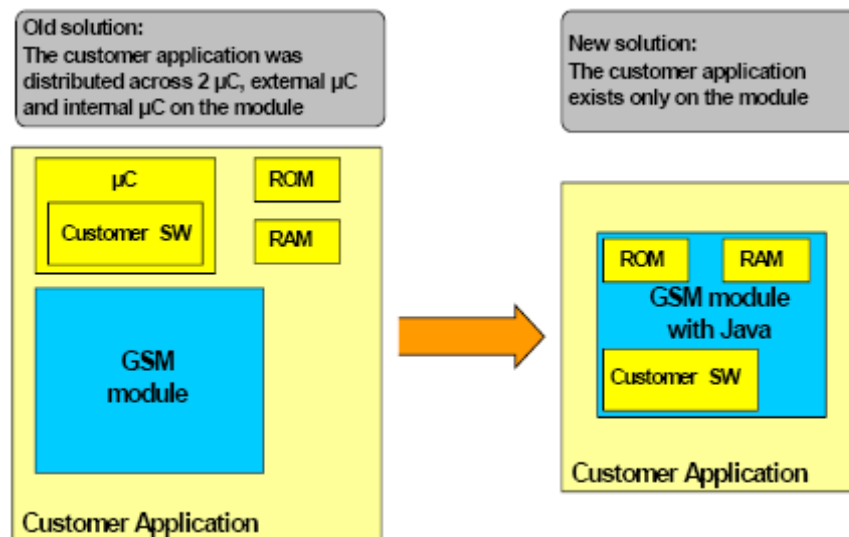
You can use then to activate or deactivate this RED LED indicator using either, AT commands or JAVA internal programmability.

5. EMBEDDED APPLICATIONS.

The MTX-65+G+B V7 can embed an internal application written in popular JAVA language. Java technology and several peripheral interfaces on the module allow you to easily integrate your application.

This way, the customer application can be reduced because all the resources: Microcontroller, Flash & RAM memory and all kind of I/O and bus peripheral is allowed to use by the customer.

This solution saves the external intelligence with all the associate costs and also saving space and power consumption.



Open application resources

- ARM© Core, Blackfin© DSP
- Memory: 400 KB (RAM) and 1.7 MB (Flash)
 - TC65i-X with 2M RAM and 8 MB Flash is available as custom upon request.
- Improved power-saving modes

Java™ features:

- CLDC 1.1 HI
- J2ME™ profile IMP-NG
- Secure data transmission with HTTPS, SSL and PKI

Over-the-air update

1. Application SW: OTAP
2. Firmware: FOTA (OMA compliant)

6 SAFETY AND PRODUCT CARE

Please read the information in this section and the information in "Installation of the Modem", before starting your integration work!

6.1. Safety instructions

PLEASE READ THESE SAFETY INSTRUCTIONS AND KEEP A COPY OF THEM.

- Always ensure that use of the modem is permitted. The modem may present a hazard if used in proximity to personal medical electronic devices. As a rule, the modem must not be used in hospitals, airports or planes.
- Never use the modem at a gas station, refueling point, blasting area or in any other environment where explosives may be present.
- Operating the modem close to other electronic devices, such as antennas, television sets, and radios may cause electromagnetic interference.
- This product is intended to be used with the antenna or other radiating element at least 20cm away from any part of the human body. In applications where this rule cannot be applied, the application designer is responsible for providing the SAR measurement test report and declaration.
- You are responsible for observing your country's safety standards, and where applicable, the relevant wiring rules.

6.2. General precautions

The MTX-65+G+B V7 Terminal as a standalone item is designed for indoor use only. For outdoor use it must be integrated into a weatherproof enclosure. Do not exceed the environmental and electrical limits as specified in "Technical Data".

- Avoid exposing the modem to lighted cigarettes, naked flames or to extreme hot or cold temperatures.
- Never try to dismantle the modem yourself. There are no components inside the modem that can be serviced by the user. If you attempt to dismantle the modem, you may invalidate the warranty.
- The MTX-65+G+B V7 Terminal must not be installed or located where the surface temperature of the plastic case may exceed 85°C.
- All cables connected to the MTX-65+G+B V7 Terminal must be secured or clamped immediately adjacent to the modem's connectors to provide strain relief and to avoid transmitting excessive vibration to the modem during the installation.
- Ensure the D.C. cable, supplying power to the MTX-65+G+B V7 Terminal, does not exceed 3 metres.
- To protect power supply cables and meet the fire safety requirements, when the unit is powered from a battery or a high current supply, connect a fast 1.25A fuse in line with the positive supply.
- Do not connect any incompatible components or products to the MTX-65+G+B V7 Terminal.

Note! MTX-65+G+B V7 distributors and sales offices may refuse warranty claims where evidence of product misuse is found.

6.3. SIM card precautions

Before handling the SIM card in your application, ensure that you are not charged with static electricity. Use proper precautions to avoid electrostatic discharges.

- When the SIM card hatch is opened, the SIM card connectors lie exposed under the SIM card holder.

Caution! Do not touch these connectors! If you do, you may release an electrical discharge that could damage the modem or the SIM card.

- When designing your application, the SIM card's accessibility should be taken into account. We always recommend that you have the SIM card protected by a PIN code. This will ensure that the SIM card cannot be used by an unauthorized person.

6.4. Antenna precautions

If the antenna is to be mounted outside, consider the risk of lightning. Follow the instructions provided by the antenna manufacturer.

- Never connect more than one modem to a single antenna. The modem can be damaged by radio frequency energy from the transmitter of another modem.
- Like any mobile station, the antenna of the modem emits radio frequency energy. To avoid EMI (electromagnetic interference), you must determine whether the application itself, or equipment in the application's proximity, needs further protection against radio emission and the disturbances it might cause. Protection is secured either by shielding the surrounding electronics or by moving the antenna away from the electronics and the external signals cable.
- The modem and antenna may be damaged if either come into contact with ground potentials other than the one in your application. Beware, ground potentials are not always what they appear to be.

6.5. Radio Frequency (RF) exposure and SAR

Your wireless modem device is a low-power radio transmitter and receiver (transceiver). When it is turned on it emits low levels of radio frequency energy (also known as radio waves or radio frequency fields).

Governments around the world have adopted comprehensive international safety guidelines, developed by scientific organizations e.g. ICNIRP (International Commission on Non-Ionizing Radiation Protection) and IEEE (The Institute of Electrical and Electronics Engineers Inc.), through periodic and thorough evaluation of scientific studies. These guidelines establish permitted levels of radio wave exposure for the general population. The levels include a safety margin designed to assure the safety of all persons, regardless of age and health, and to account for any variations in measurements.

Specific Absorption Rate (SAR) is the unit of measurement for the amount of radio frequency energy absorbed by the body when using a transceiver. The SAR value is determined at the highest certified power level in laboratory conditions, but the actual SAR level of the transceiver while operating can be well below this value. This is because the transceiver is designed to use the minimum power required to reach the network.

The MTX-65+G+B V7 wireless modem device has been approved for applications where the antenna is located >20cm from the body. In all other configurations the integrator is responsible for meeting the local SAR regulations.

Integrators of the MTX-65+G+B V7 wireless modem device are responsible for ensuring that they meet the SAR regulatory requirements of the countries in which they intend to operate the device, and that their documentation contains the relevant SAR declaration, certification information, and user guidance as appropriate.

6.6. Personal Medical Devices

Wireless modem devices may affect the operation of cardiac pacemakers, hearing aids and certain other implanted equipment. If a minimum distance of 15 cm (6 inches) is maintained between the MTX-65+G+B V7 terminal radiating antenna and a pacemaker, the risk of interference is limited. If the integrator's application is likely to be situated in the vicinity of personnel, a suitable warning should be contained in the equipment manual to this effect.

7. INSTALLATION OF THE MODEM

This chapter gives you advice and helpful hints on how to integrate the MTX-65+G+B V7 Terminal into your application from a hardware perspective.

7.1 Where to install the modem

There are several conditions which need to be taken into consideration when designing your application as they might affect the modem and its function. They are:

7.1.1 Environmental conditions

The modem must be installed so that the environmental conditions stated in the Technical Data chapter, such as temperature, humidity and vibration, are satisfied. Additionally, the electrical specifications in the Technical Data section must not be exceeded.

7.1.2 Signal strength

The modem has to be placed in a way that ensures sufficient signal strength. To improve signal strength, the antenna can be moved to another position. Signal strength may depend on how close the modem is to a radio base station. You must ensure that the location where you intend to use the modem is within the network coverage area. Degradation in signal strength can be the result of a disturbance from another source, for example an electronic device in the immediate vicinity. More information about possible communication disturbances can be found in section 7.3.5.

When an application is completed, you can verify signal strength by issuing the AT command AT+CSQ. See "AT+CSQ Signal Strength".

Tip! Before installing the modem, use an ordinary mobile telephone to check a possible location for it. When determining the location for the modem and antenna you should consider signal strength as well as cable length.

7.1.3 Connections of components to MTX-65+G+B V7 Terminal

The integrator is responsible for the final integrated system. Incorrectly designed or installed, external components may cause radiation limits to be exceeded. For instance, improperly made connections or improperly installed antennas can disturb the network and lead to malfunctions in the modem or equipment.

7.1.4 Network and Subscription

Before your application is used, you must ensure that your chosen network provides the necessary telecommunication services. Contact your service provider to obtain the necessary information.

- If you intend to use SMS in the application, ensure this is included in your (voice) subscription.
- Consider the choice of the supplementary services.

7.2 How to install the modem

7.2.1 Power supply

- Use a high-quality power supply cable with low resistance. This ensures that the voltages at the connector pins are within the allowed range, even during the maximum peak current.
- When the unit is powered from a battery or a high current supply, connect a fast 1.25A fuse in line with the positive supply. This protects the power cabling and the modem.

7.2.2 Securing the modem

Before securing the modem take into account the amount of additional space required for the mating connectors and cables that will be used in the application.

- Where access is restricted, it may be easier to connect all the cables to the modem prior to securing it in the application.
- Securely attach the MTX-65+G+B V7 Terminal modem to the host application using two 3mm diameter pan-head screws

7.3 Antenna

7.3.1 General

The antenna is the component in your system that maintains the radio link between the network and the modem. Since the antenna transmits and receives electromagnetic energy, its efficient function will depend on:

- The type of antenna (for example, circular or directional);
- The placement of the antenna;
- Communication disturbances in the vicinity in which the antenna operates.

In the sections below, issues concerning antenna type, antenna placement, antenna cable, and possible communication disturbances are addressed. In any event, you should contact your local antenna manufacturer for additional information concerning antenna type, cables, connectors, antenna placement, and the surrounding area.

You should also determine whether the antenna needs to be grounded or not. Your local antenna manufacturer might be able to design a special antenna suitable for your application.

7.3.2 Antenna type

Make sure that you choose the right type of antenna for the modem. Consider the following requirements:

- The antenna must be designed for the one of the frequency bands in use; please ask your network provider for more information:
 - GSM 850/900 MHz
 - GSM 1800/1900 MHz;
- The impedance of the antenna and antenna cable must be 50Ω;
- The antenna output-power handling must be a minimum of 2W;
- The VSWR value should be less than 3:1 to avoid damage to the modem.

7.3.3 Antenna placement

The antenna should be placed away from electronic devices or other antennas. The recommended minimum distance between adjacent antennas, operating in a similar radio frequency band, is at least 50cm. If signal strength is weak, it is useful to face a directional antenna at the closest radio base station. This can increase the strength of the signal received by the modem. The modem's peak output power can reach 2W.

RF field strength varies with antenna type and distance. At 10cm from the antenna the field strength may be up to 70V/m and at 1m it will have reduced to 7V/m. In general, CE-marked products for residential and commercial areas, and light industry can withstand a minimum of 3V/m.

7.3.4 The antenna cable

Use 50Ω impedance low-loss cable and high-quality 50Ω impedance connectors (frequency range up to 2GHz) to avoid RF losses. Ensure that the antenna cable is as short as possible. The Voltage Standing-Wave Ratio (VSWR) may depend on the effectiveness of the antenna, cable and connectors. In addition, if you use an adapter between the antenna cable and the antenna connector, it is crucial that the antenna cable is a high-quality, low-loss cable. Minimize the use of extension cables, connectors and adapters. Each additional cable, connector or adapter causes a loss of signal power.

7.3.5 Possible communications disturbances

Possible communication disturbances include the following:

- **Noise** can be caused by electronic devices and radio transmitters.
- **Path-loss** occurs as the strength of the received signal steadily decreases in proportion to the distance from the transmitter.
- **Shadowing** is a form of environmental attenuation of radio signals caused by hills, buildings, trees or even vehicles. This can be a particular problem inside buildings, especially if the walls are thick and reinforced.
- **Multi-path fading** is a sudden decrease or increase in the signal strength. This is the result of interference caused when direct and reflected signals reach the antenna simultaneously. Surfaces such as buildings, streets, vehicles, etc., can reflect signals.
- **Hand-over** occurs as you move from one cell to another in the GSM network. Your mobile application call is transferred from one cell to the next. Hand-over can briefly interfere with communication and may cause a delay, or at worst, a disruption.

8. ACCESSORIES

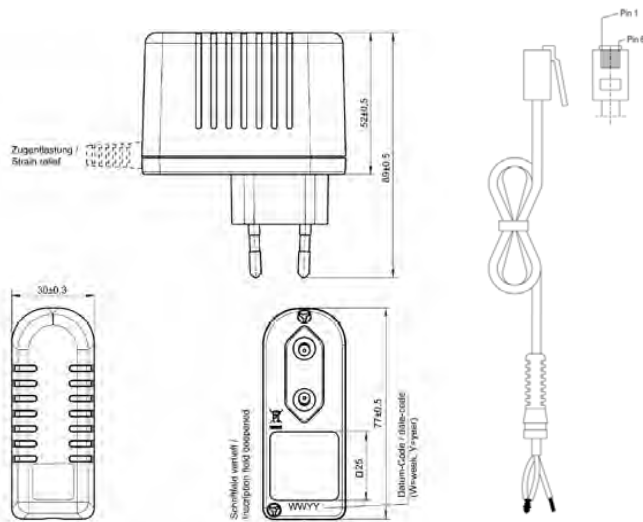
The MTX-65+G+B V7 has been type approved together with a range of accessories including: Power supply, all type of antennas (indoor, outdoor, high gain, etc...), cables...

The following is an example of this; please visit www.mtx-terminals.com to see the full-range of accessories.

8.1. POWER SUPPLY

8.1.1 AC Power Adaptor

OPANIEL TECHNOLOGIES <http://www.opaniel.com/>
Model F



Input: 240VAC, 0.1A power adaptor, 50-60Hz mains lead Euro plug option.
Output: 12V DC, 1.4A.

2m cable with RJ12 plug connector see below.

RJ12 plug proprietary pinout:

- Pin 1 = Positive
- Pin 2 = Not connected
- Pin 3 = Not connected
- Pin 4 = Positive
- Pin 5 = Not connected
- Pin 6 = Negative

CE approved

ORDERING CODE: 901.003.002

8.1.2 DC cable

2.5m Fused DC Power Cable for GSM terminals
Fuse: Fast acting fuse $\geq 0.4A$



ORDERING CODE: 118.001.000

8.2. ANTENNAS

8.2.1 GSM Magnetic Dual Band Antenna (900/1800MHz)

OPANIEL TECHNOLOGIES <http://www.opaniel.com>

Model: MTX-FME F (whips 6 & 22 cm)

Magnetic-mount antenna, 3m RG174 cable with FME female connector
 0dB radiator for whip 6 cm.
 3dB radiator for whip 22 cm.

Ordering code: 118.009.000



8.2.2 GSM Right angle short antenna



OPANIEL TECHNOLOGIES <http://www.opaniel.com>

Model: MTX-ACODADA FME F

L= 5 + 2,5 cm

Gain= 0dB

ORDERING CODE: 118.007.004

8.2.3 GSM Patch Adhesive Antenna

OPANIEL TECHNOLOGIES <http://www.opaniel.com>

Model: MTX-UT902 – FME F

MTX- UT-902, RG174 3 mts,
 GSM DUAL BAND (900 / 1800 MHz) ANTENNA

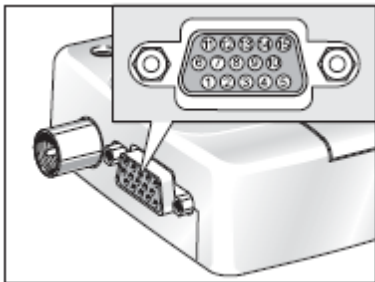
Patch Antenna
 Cable RG174 3 Meters
 Gain 2 dB
 Frequency: 824-960 MHz, 1770-1880mhz



ORDERING CODE: 118.007.003

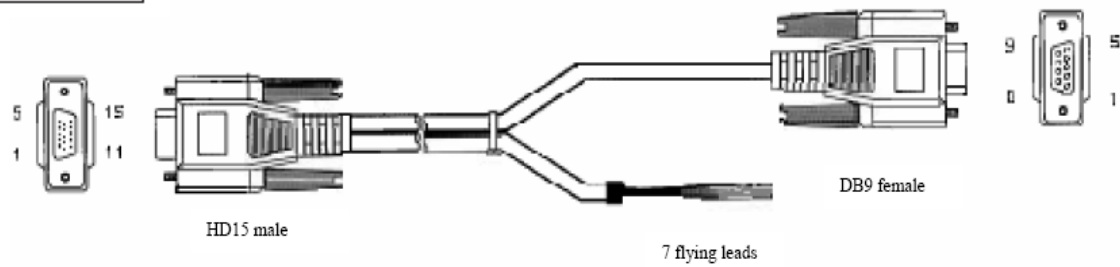
8.3. CABLES

8.3.1 Main port - RS232 4-way Serial Cable



- Modem and System Breakout Cable: 1m lead length
- HD15 male connector connected to;
 - DB9 female connector with 4 signal RS232 serial connection
 - 11 flying leads (**7 opened**)
- Conductor current rating < 1.5A DC, 26 AWG

Ordering code: **118.001.020**



Interconnect Table

HD15 male		DB9 female	Flying leads
1	I2CCLK-SPICLK		Brown
2	RX0	2 RX	
3	TX0	3 TX	
4			Purple
5			Yellow
6	I2CDAT-SPIDO		Light blue
7	RTS	7 RTS	
8	CTS	8 CTS	
9	ADC2_IN		Gray
10	Vout		Red
11			White
12			Orange
13			Pink
14	GND	5 GND	Black
15	ADC 1_IN		Light Green

8.3.2 USB CABLE

Cable USB 2.0 AM/Mini BM (5 pins) Black Length 1.8 meters



Ordering Code: 120.003.222

8.3.3 Adapter DB15 F – DB9 M



DB9 M	DB15 F	RS 232
1	1	DCD
2	2	RX
3	3	TX
4	13	DSR
5	14	RTS
6	6	CTS
7	7	RI
8	8	DTR
9	10	GND
G	G	

ORDER CODE: 118.001.007

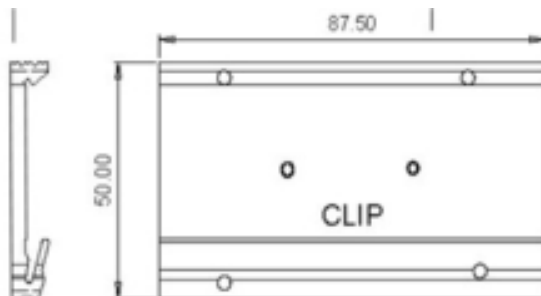
8.4. DIN Mounting Kit

ORDER CODE: 118.001.010

Screws for Terminals

TORNILLO PLANO DIN84 M3x35 for all models of MTX-Terminals

ORDER CODE: 000.427.017



9. CONFORMITY ASSESSMENT

MATRIX ELECTRONICA S.L.
C/ Alejandro Sanchez 109
28019 Madrid
Spain

Declare under our sole responsibility that the products MTX-65+G+B V7 Terminal, containing Cellular Engine Cinterion engine TC65i (Type L30960-N-1150-*) to which this declaration relates, is labeled with the CE conformity mark.

STANDARDS of EUROPEAN TYPE APPROVAL

DIRECTIVE 2004/108/EC OF THE EUROPEAN PARLIAMENT AND OF THE COUNCIL
of 15 December 2004 on the approximation of the laws of the Member States relating to electromagnetic compatibility and repealing Directive 89/336/EEC

DIRECTIVE 2006/95/EC OF THE EUROPEAN PARLIAMENT AND OF THE COUNCIL
of 12 December 2006 on the harmonization of the laws of Member States relating to electrical equipment designed for use within certain voltage limits

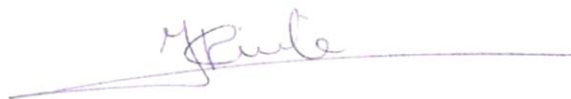
ETSI EN 301 511 V9.0.2: Global System for Mobile communications (GSM); Harmonized standard for mobile stations in the GSM 900 and DCS 1800 bands covering essential requirements under article 3.2 of the R&TTE directive (1999/5/EC) (GSM 13.11 version 7.0.1 Release 1998)

ETSI EN 301 489-1 V1.8.1; EN 301 489-7 V1.3.1: Electro Magnetic Compatibility and Radio spectrum Matters (ERM); Electro Magnetic Compatibility (EMC) standard for radio equipment and services; Part 1: Common Technical Requirements

IEC/EN 60950-1:2005 / EN 60950-1:2006+A11:2009: Health and Safety

The technical documentation relevant to the above equipment will be held at
MATRIX ELECTRONICA S.L.
Alejandro Sanchez 109
28019 Madrid
Spain

Madrid, 01/03/2013.
Mr. J. Vicente
Managing Board



FCC COMPLIANT AND SAR INFORMATION

MTX-65+G+B V7 complaints with FCC regulations.

Equipment class: PCS Licensed Transmitter
Notes: Quad band GSM/GPRS Modem

MTX-65+G+B V7 Contains FCC ID: QIPTC65I

Cinterion Wireless Modules model TC65i is marketed without defined antenna.

Maximum Gain antenna using indoor antennas depends on distance from antenna to any nearby persons; in normal operation should not exceed values shows on below table.

According to the limit in 47 CFR 1.1310, we get the value of the maximum antenna gain as follow:

The maximum measured power output in the 850 MHz band is 2187.76 mW (33.4 dBm, see 7layers test report MDE_Siem_0714_FCCb).

The maximum permissible exposure is defined in 47 CFR 1.1310 with 0.55773 mW/cm².

The maximum measured power output in the 1900 MHz band is 954.99 mW (29.8 dBm, see 7layers test report MDE_Siem_0714_FCCc).

The maximum permissible exposure is defined in 47 CFR 1.1310 with 1 mW/cm².

According to the limit in 47 CFR 1.1310, we get the value of the maximum antenna gain as follow:

$$S = P \cdot G / 4\pi R^2$$

$$S = 0.55773 \text{ mW/cm}^2 \text{ or } 1 \text{ mW/cm}^2$$

$$P = 1866.38 \text{ mW or } 974.99 \text{ mW}$$

$$R = 20 \text{ cm or } 100\text{cm}$$

$$\pi = 3.1416$$

$$G(\text{dBi}) = 10 \cdot \log_{10}(G)$$

Solving for G; the maximum antenna gain is

Band	Distance	Maximum Gain in dBi
850MHz	20cm	1.1398
850MHz	50cm	9.3568
1900MHz	20cm	7.2127
1900MHz	50cm	15.1715

10. ROHS STATEMENT

The MTX65+G-V6 is compliant with the 2002/95/EC Directive of the European Parliament and of the Council of 27 January 2003 on the restriction of the use of certain hazardous substances in electrical and electronic equipment (RoHS).



11. DISPOSAL OF OLD ELECTRICAL & ELECTRONIC EQUIPMENT (WEEE MARK)



This symbol, applied on our products and/or on its packaging, indicates that this product should not be treated as household waste when you wish to dispose of it. Instead, it should be handed over to an applicable collection point for the recycling of electrical and electronic equipment. By ensuring this product is disposed of correctly, you will help prevent potential negative consequences to the environment and human health, which could otherwise be caused by inappropriate disposal of this product. The recycling of materials will help to conserve natural resources. For more detailed information about the recycling of this product, please contact your local city office, household waste disposal service or the retail store where you purchased this product.

12. ABBREVIATIONS

Abbreviation	Explanations
CBM	Cell Broadcast Message
CBS	Cell Broadcast Service
CSD	Circuit Switched Data
DCE	Data Circuit Terminating Equipment
DTE	Data Terminal Equipment
DTMF	Dual Tone Multi Frequency
EFR	Enhanced Full Rate
EMC	Electro-Magnetic Compatibility
ETSI	European Telecommunication Standards Institute
FR	Full Rate
GPRS	General Packet Radio Service
GSM	Global System for Mobile Communication
HR	Half Rate
HSCSD	High Speed Circuit Switched Data
ITU-T	International Telecommunication Union - Telecommunications Standardization Sector
ME	Mobile Equipment
MO	Mobile Originated
MS	Mobile Station
MT	Mobile Terminated
PDU	Protocol Data Unit
RLP	Radio Link Protocol
RF	Radio Frequency
RTC	Real Time Clock
SIM	Subscriber Identity Module
SMS	Short Message Service
TA	Terminal Adapter
TE	Terminal Equipment
TS	Telecom Services

13. AT COMMAND SUMMARY

The AT standard is a line-oriented command language. AT is an abbreviation of ATtention and it is always used to start sending a command line from the terminal equipment (TE) to the terminal adaptor (TA). The command line consists of a string of alphanumeric characters. It is sent to the MTX-65+G+B V7 to instruct it to perform the commands specified by the characters.

The AT commands listed below are supported by the within the MTX-65+G+B V7. The AT command user manual can be downloading from MTX-65+G+B V7 ftp server: <ftp.matrix.es/MTX-Terminals/MTX-65+G+B V7> . Be aware that not all AT commands will perform valid operations in the MTX-65+G+B V7 owing to its modified range of IOs.

AT Command	Description
+++	Switch from data mode to command mode
^SSTN	SAT Notification
A/	Repeat previous command line
AT&C	Set Data Carrier Detect (DCD) Line mode
AT&D	Set circuit Data Terminal Ready (DTR) function mode
AT&F	Set all current parameters to manufacturer defaults
AT&S	Set circuit Data Set Ready (DSR) function mode
AT&V	Display current configuration
AT&W	Stores current configuration to user defined profile
AT+CACM	Accumulated call meter (ACM) reset or query
AT+CALA	Set alarm time
AT+CAMM	Accumulated call meter maximum (ACMmax) set or query
AT+CAOC	Advice of Charge information
AT+CBST	Select bearer service type
AT+CCFC	Call forwarding number and conditions control
AT+CCLK	Real Time Clock
AT+CCUG	Closed User Group
AT+CCWA	Call Waiting
AT+CEER	Extended Error Report
AT+CFUN	Set phone functionality
AT+CGACT	PDP context activate or deactivate
AT+CGANS	Manual response to a network request for PDP context activation
AT+CGATT	GPRS attach or detach
AT+CGAUTO	Automatic response to a network request for PDP context activation
AT+CGDATA	Enter data state

AT+CGDCONT	Define PDP Context
AT+CGEQMIN	3G Quality of Service Profile (Minimum acceptable)
AT+CGEQREQ	3G Quality of Service Profile (Requested)
AT+CGMI	Request manufacturer identification
AT+CGMM	Request model identification
AT+CGMR	Request revision identification of software status
AT+CGPADDR	Show PDP address
AT+CGQMIN	Quality of Service Profile (Minimum acceptable)
AT+CGQREQ	Quality of Service Profile (Requested)
AT+CGREG	GPRS Network Registration Status
AT+CGSMS	Select service for MO SMS messages
AT+CGSN	Request International Mobile Equipment Identity (IMEI)
AT+CHLD	Call Hold and Multiparty
AT+CHUP	Hang up call
AT+CIMI	Request International Mobile Subscriber Identity (IMSI)
AT+CIND	Indicator control
AT+CLCC	List current calls of ME
AT+CLCK	Facility lock
AT+CLIP	Calling Line Identification Presentation
AT+CLIR	Calling Line Identification Restriction
AT+CLVL	Loudspeaker volume level
AT+CMEE	Mobile Equipment Error Message Format
AT+CMER	Mobile Equipment Event Reporting
AT+CMGC	Send an SMS command
AT+CMGD	Delete short message
AT+CMGF	Select SMS message format
AT+CMGL	List SMS messages from preferred store
AT+CMGR	Read SMS messages
AT+CMGS	Send Short Message
AT+CMGW	Write Short Messages to Memory
AT+CMSS	Send short messages from storage
AT+CMUT	Mute control
AT+CMUX	Enter multiplex mode
AT+CNMA	New Message Acknowledgement to ME/TE, only phase 2+
AT+CNMI	New short Message Indication

AT+CNUM	Read own numbers
AT+COLP	Connected Line Identification Presentation
AT+COPN	Read operator names
AT+COPS	Operator Selection
AT+CPAS	Mobile equipment activity status
AT+CPBR	Read from Phonebook
AT+CPBS	Select phonebook memory storage
AT+CPBW	Write into Phonebook
AT+CPIN	PIN Authentication
AT+CPIN2	PIN2 Authentication
AT+CPMS	Preferred SMS message storage
AT+CPOL	Preferred Operator List
AT+CPUC	Price per unit and currency table
AT+CPWD	Change Password
AT+CR	Service reporting control
AT+CRC	Set Cellular Result Codes for incoming call indication
AT+CREG	Network registration
AT+CRLP	Select radio link protocol parameters for originated non-transparent data calls
AT+CRSM	Restricted SIM Access
AT+CSCA	SMS Service Center Address
AT+CSCB	Select Cell Broadcast Message Indication
AT+CSCS	Select TE character set
AT+CSDH	Show SMS text mode parameters
AT+CSIM	Generic SIM Access
AT+CSMP	Set SMS text Mode Parameters
AT+CSMS	Select Message Service
AT+CSNS	Single Numbering Scheme
AT+CSQ	Signal quality
AT+CSSN	Supplementary service notifications
AT+CUSD	Unstructured supplementary service data
AT+CXXCID	Display card ID
AT+FCLASS	Fax: Select, read or test service class
AT+FRH	Receive Data Using HDLC Framing
AT+FRM	Receive Data
AT+FRS	Receive Silence

AT+FTH	Transmit Data Using HDLC Framing
AT+FTM	Transmit Data
AT+FTS	Stop Transmission and Wait
AT+GCAP	Request complete TA capabilities list
AT+GMI	Request manufacturer identification
AT+GMM	Request model identification
AT+GMR	Request revision identification of software status
AT+GSN	Request International Mobile Equipment Identity (IMEI)
AT+ICF	Serial Interface Character Framing
AT+IFC	Set Flow Control separately for data directions
AT+ILRR	Set TE-TA local rate reporting
AT+IPR	Set fixed local rate
AT+VTD	Tone duration
AT+VTS	DTMF and tone generation
AT+WS46	Select wireless network
AT\Q	Flow control
AT\W	Set CONNECT result code format
AT^MONI	Monitor idle mode and dedicated mode
AT^MONP	Monitor neighbour cells
AT^SACM	Advice of charge and query of ACM and ACMmax
AT^SAIC	Audio Interface Configuration
AT^SALS	Alternate Line Service
AT^SATR	Query SIM's Answer to Reset Data
AT^SBC	Battery Charge Control
AT^SBV	Battery/Supply Voltage
AT^SCCNT	Configure Pulse Counter
AT^SCFG	Extended Configuration Settings
AT^SCID	Display SIM card identification number
AT^SCKS	Query SIM and Chip Card Holder Status
AT^SCML	List Concatenated Short Messages from preferred store
AT^SCMR	Read Concatenated Short Messages
AT^SCMS	Send Concatenated Short Messages
AT^SCMW	Write Concatenated Short Messages to Memory
AT^SCNI	List Call Number Information
AT^SCPIN	Pin Configuration

AT^SCPOL	Polling Configuration
AT^SCPORT	Port Configuration
AT^SCSL	Customer SIM Lock
AT^SCTM	Set critical operating temperature presentation mode or query temperature
AT^SDLD	Delete the 'last number redial' memory
AT^SDPORT	Delete a Port Configuration
AT^SFDL	Enter Firmware Download Mode
AT^SFNUR	Select the fixed network user rate
AT^SGACT	Query all PDP context activations
AT^SGAUTH	Set type of authentication for PPP connection
AT^SGCONF	Configuration of GPRS related Parameters
AT^SGIO	Get IO state of a specified pin or port
AT^SGPSC	GPS Configuration
AT^SGPSP	GPS URC presentation mode
AT^SGPSR	GPS Read
AT^SGPSS	GPS Switch
AT^SHOM	Display Homezone
AT^SHUP	Hang up call(s) indicating a specific GSM04.08 release cause
AT^SICC	Internet Connection Close
AT^SICI	Internet Connection Information
AT^SICO	Internet Connection Open
AT^SICS	Internet Connection Setup Profile
AT^SIND	Extended Indicator Control
AT^SISC	Internet Service Close
AT^SISE	Internet Service Error Report
AT^SISI	Internet Service Information
AT^SISO	Internet Service Open
AT^SISR	Internet Service Read Data
AT^SISS	Internet Service Setup Profile
AT^SISW	Internet Service Write Data
AT^SISX	Internet Service Execution
AT^SJNET	Set Dialup Network Access Parameters
AT^SJOTAP	Over The Air Application Provisioning
AT^SJRA	Run Java Application
AT^SJSEC	Write Binary Java Security Data

AT^SLCC	Siemens defined command to list current calls of ME
AT^SLCD	Display Last Call Duration
AT^SLCK	Facility lock
AT^SLMS	List SMS Memory Storage
AT^SM20	Set M20 compatibility mode
AT^SMGL	List Short Messages from preferred store without setting status to REC READ
AT^SMGO	Set or query SMS overflow presentation mode or query SMS overflow
AT^SMGR	Read short message without setting status to REC READ
AT^SMONC	Cell Monitoring
AT^SMOND	Cell Monitoring
AT^SMONG	GPRS Monitor
AT^SMSO	Switch off mobile station
AT^SNFA	Set or query of microphone attenuation
AT^SNFD	Set audio parameters to manufacturer default values
AT^SNFI	Set microphone path parameters
AT^SNFM	Set microphone audio path and power supply
AT^SNFO	Set audio output (= loudspeaker path) parameter
AT^SNFPT	Set progress tones
AT^SNFS	Select audio hardware set
AT^SNFTTY	Signal TTY/CTM audio mode capability
AT^SNFV	Set loudspeaker volume
AT^SNFW	Write audio setting in non-volatile store
AT^SOPS	Extended Operator Selection
AT^SPBC	Find first matching entry in sorted phonebook
AT^SPBD	Purge phonebook memory storage
AT^SPBG	Display phonebook entries in alphabetical order
AT^SPBS	Step through the selected phonebook alphabetically
AT^SPBW	Write into Phonebook with location report
AT^SPIC	Display PIN counter
AT^SPIO	General Purpose IO Driver Open/Close
AT^SPLM	Read the PLMN list
AT^SPLR	Read entry from the preferred operators list
AT^SPLW	Write an entry to the preferred operators list
AT^SPWD	Change Password
AT^SRADC	Configure and Read ADC Measurement

AT^SRSA	Remote SIM Access Activation
AT^SRSM	Remote SIM Access Message
AT^SRTC	Ring tone configuration
AT^SSCNT	Start and Stop Pulse Counter
AT^SSCONF	SMS Command Configuration
AT^SSDA	Set SMS Display Availability
AT^SSET	Indicate SIM data ready
AT^SSIO	Set IO state of a specified pin or port
AT^SSMSS	Set Short Message Storage Sequence
AT^SSPI	Serial Protocol Interface
AT^SSTA	SAT Interface Activation
AT^SSTGI	SAT Get Information
AT^SSTR	SAT Response
AT^SSYNC	Configure SYNC Pin
AT^STCD	Display Total Call Duration
AT^STPB	Transmit Parity Bit (for 7E1 and 7O1 only)
AT^SWDAC	Configure and Read PWM Signal for DAC
AT^SXSM	Extended SIM Access
ATA	Answer a call
ATA	Manual response to a network request for PDP context activation
ATD	Mobile originated call to specified number
ATD*98#	Request GPRS IP service
ATD*99#	Request GPRS service
ATD><mem><n>	Mobile originated call using specific memory and index number
ATD><n>	Mobile originated call from active memory using index number
ATD><str>	Mobile originated call from active memory using corresponding field
ATDI	Mobile originated call to ISDN number
ATDL	Redial last number used
ATE	Enable command echo
ATH	Disconnect existing connection
ATH	Manual rejection of a network request for PDP context activation
ATI	Display product identification information
ATL	Set monitor speaker loudness
ATM	Set monitor speaker mode
ATO	Switch from command mode to data mode / PPP online mode

ATP	Select pulse dialing
ATQ	Set result code presentation mode
ATS0	Set number of rings before automatically answering a call
ATS0	Automatic response to a network request for PDP context activation
ATS10	Set disconnect delay after indicating the absence of data carrier
ATS18	Extended call release report
ATS3	Set command line termination character
ATS4	Set response formatting character
ATS5	Write command line editing character
ATS6	Set pause before blind dialing
ATS7	Set number of seconds to wait for connection completion
ATS8	Set number of seconds to wait for comma dialing modifier
ATT	Select tone dialing
ATV	Set result code format mode
ATX	Set CONNECT result code format and call monitoring
ATZ	Set all current parameters to user defined profile

15. SALES CONTACT

Matrix Electronica
Alejandro Sanchez 109
28019 Madrid
Tel +34-915602737
www.mtx-terminals.com
mtxdisti@matrix.es
[ftp.matrix.es/MTX-Terminals](ftp://matrix.es/MTX-Terminals)
Technical support: gsm-support@matrix.es